

AQR

ASU/LOT

TECHNICAL MANUAL

Version 003

Sadis BRUKER SPECTROSPIN

The information in this manual may be altered without notice.

Sadis BRUKER SPECTROSPIN accepts no responsibility for actions taken as a result of use of this manual. Sadis BRUKER SPECTROSPIN accepts no liability for any mistakes contained in the manual, leading to coincidental damage, whether during installation or operation of the instrument. Unauthorised reproduction of manual contents, without written permission from the publishers, or translation into another language, either in full or in part, is forbidden.

This manual was written by

M.Dominique WURTZ

© 7. March 1997: Sadis BRUKER SPECTROSPIN

Wissembourg, FRANCE

P/N: W1302170

Updated for BASH 2.0 by UR - December 1996

P/N Z31231

DWG-No: 902 003

Contents

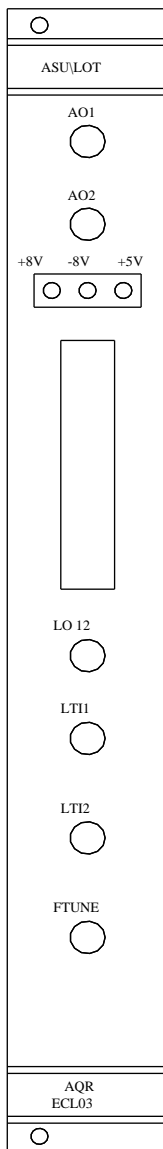
Contents 1

Schematics 3

Figures 23

Schematics

Figure 1.1. Amplitude setting unit / Local oscillator & tune - Front panel




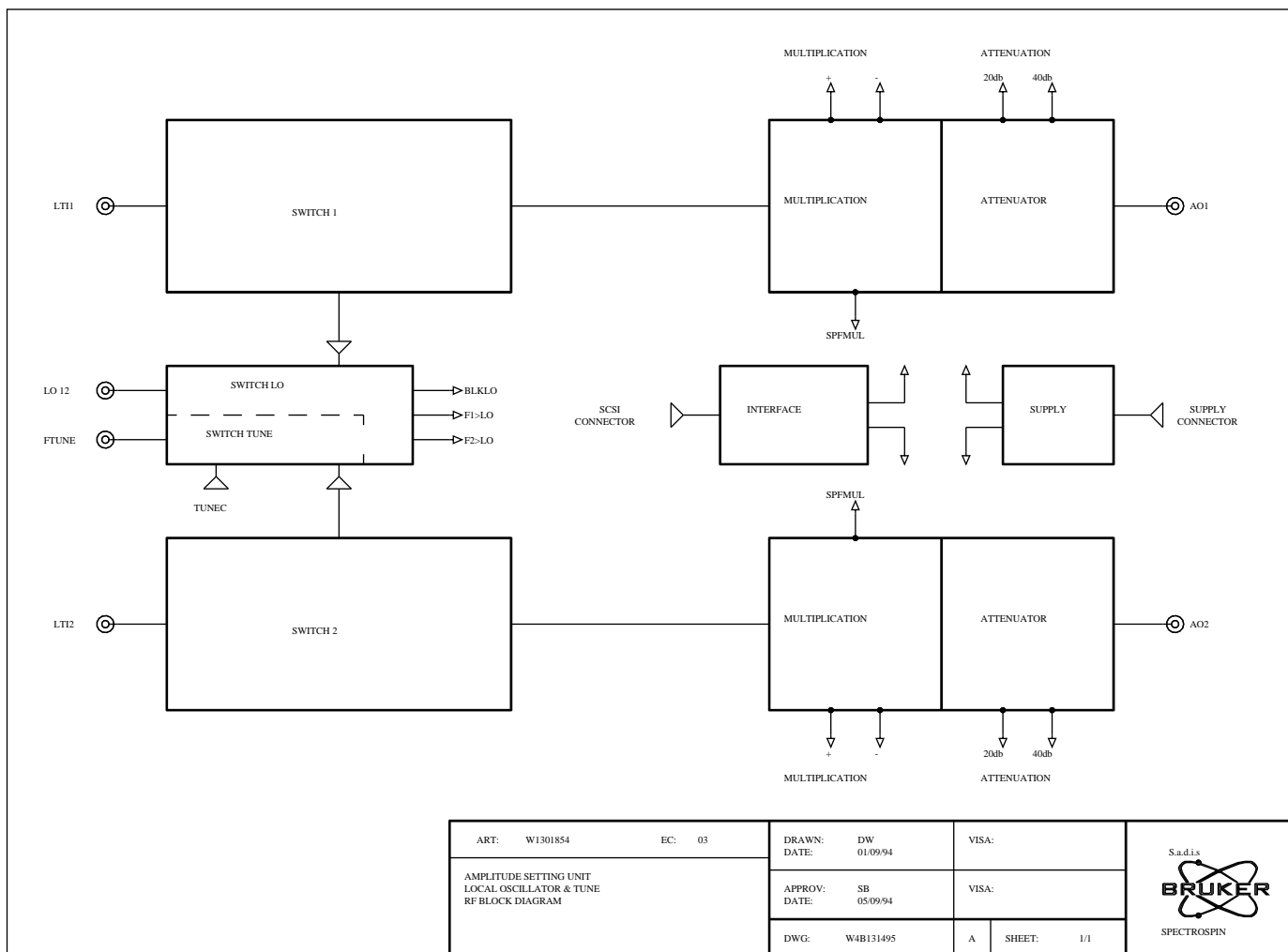
ART: W1301854	EC: 03	DRAWN: DW	DATE: 01/09/94	VISA:	S.a.d.i.s  SPECTROSPIN
AMPLITUDE SETTING UNIT LOCAL OSCILLATOR & TUNE FRONT PANEL		APPROV: SB	DATE: 05/09/94	VISA:	
		DWG: W4L131497	A	SHEET: 1/1	

Figure 1.2. ASU / LOT - RF Block diagram



ART: W1301854	EC: 03	DRAWN: DW	DATE: 01/09/94	VISA:
AMPLITUDE SETTING UNIT LOCAL OSCILLATOR & TUNE RF BLOCK DIAGRAM		APPROV: SB	DATE: 05/09/94	VISA:
		DWG: W4B131495	A	SHEET: 1/1


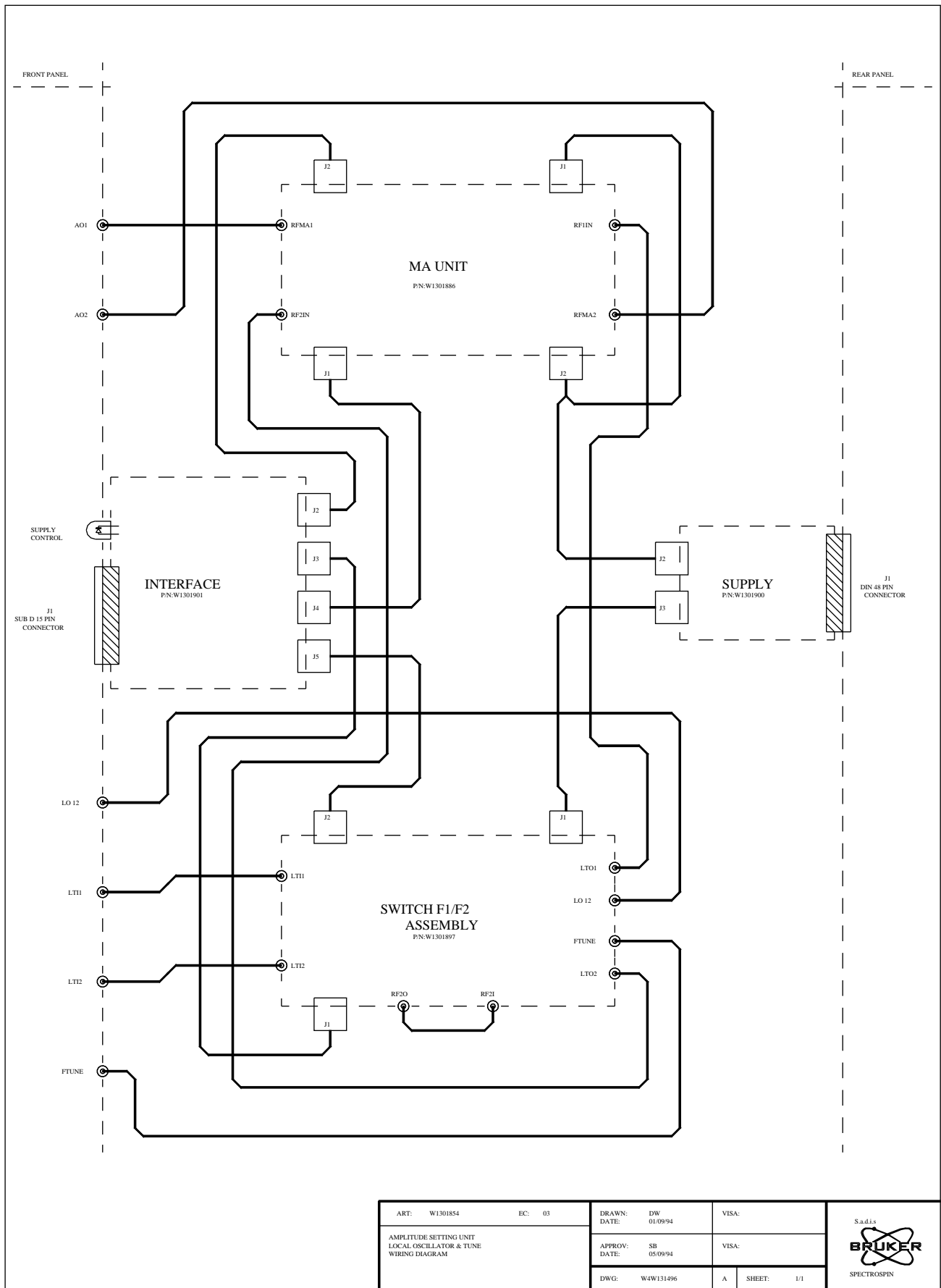
S.a.d.i.s

 SPECTROSPIN

Figure 1.3. ASU / LOT - Wiring diagram



ART: W1301854	EC: 03	DRAWN: DW	DATE: 01/09/94	VISA:
AMPLITUDE SETTING UNIT LOCAL OSCILLATOR & TUNE WIRING DIAGRAM		APPROV: SB	DATE: 05/09/94	VISA:
		DWG: W4W131496	A	SHEET: 1/1



Figure 1.4. Supply board

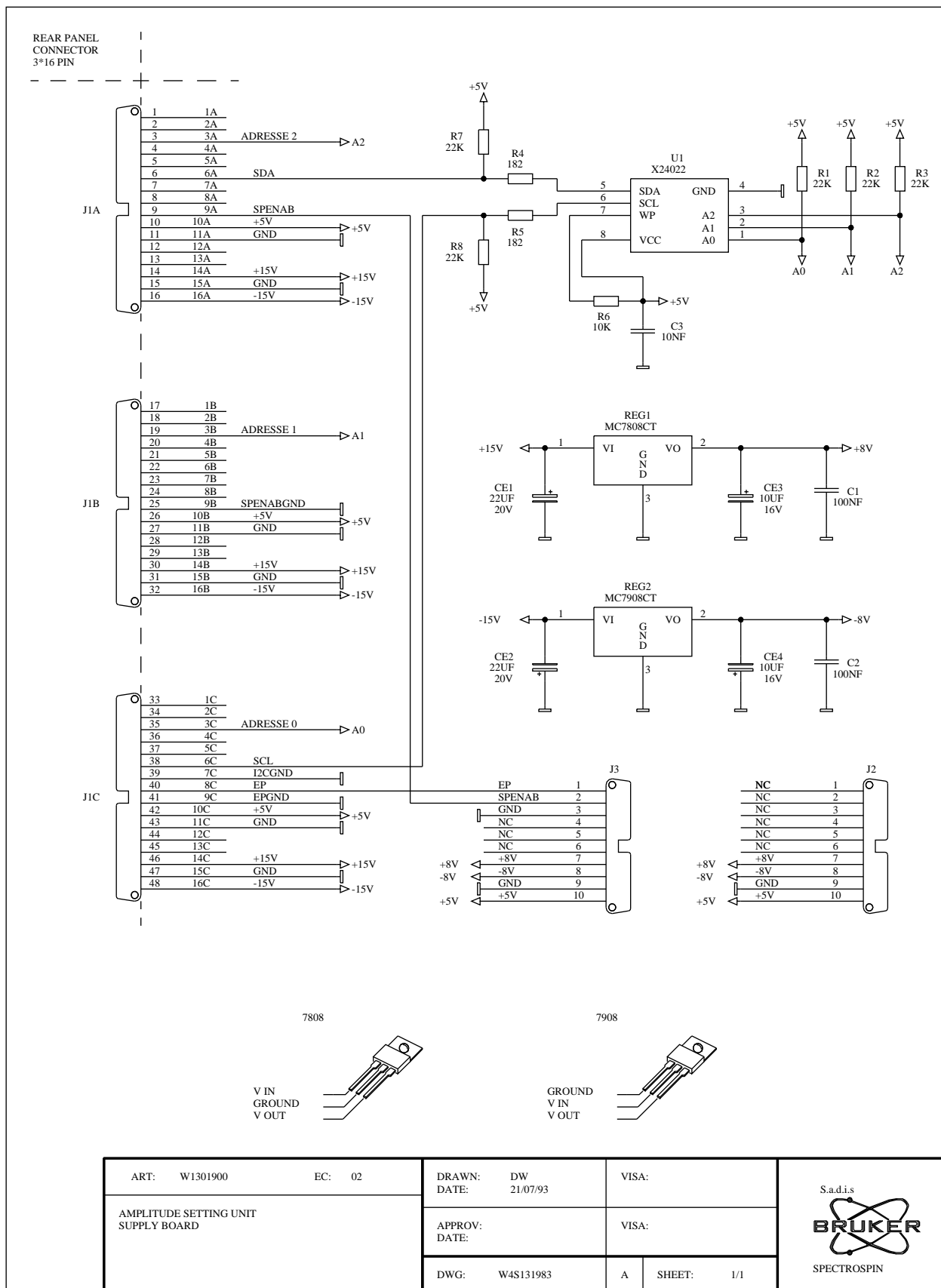


Figure 1.5. Supply board - Location

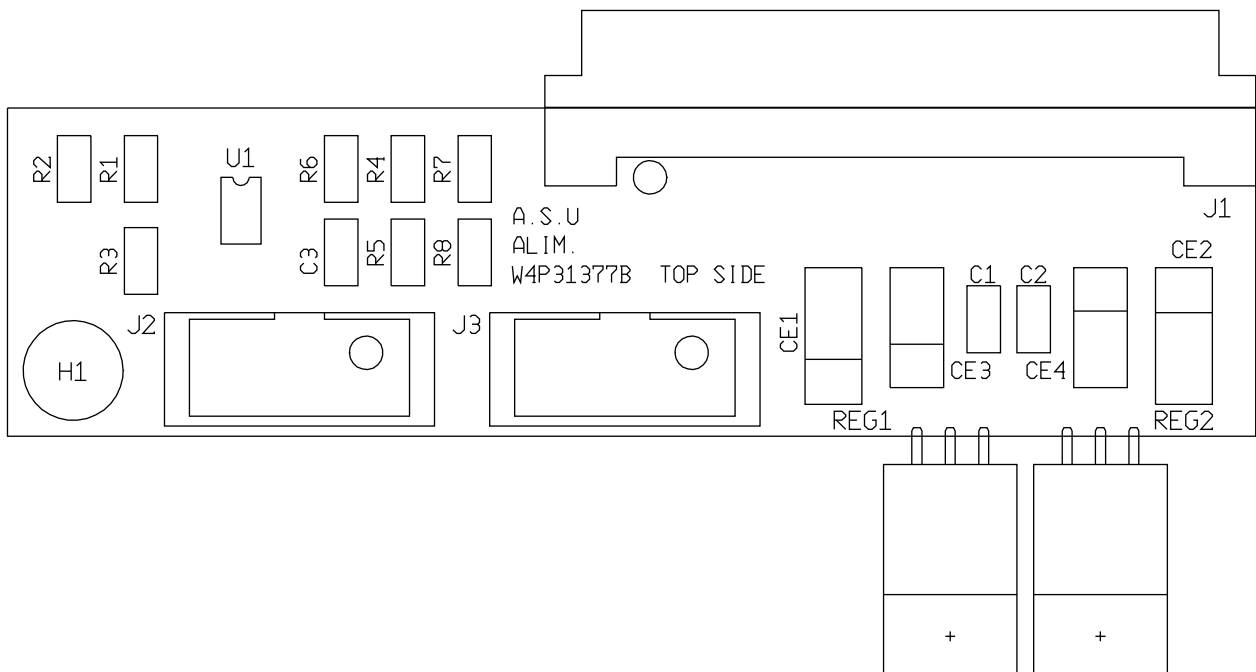


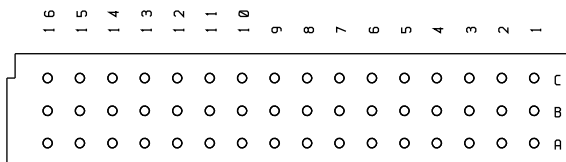
Figure 1.6. Supply board - J1 rear panel connector

J1 - REAR PANEL CONNECTOR

1A	01	NC
2A	02	NC
3A	03	ADRESSE 2
4A	04	NC
5A	05	NC
6A	06	SDA
7A	07	NC
8A	08	NC
9A	09	SPENAB
10A	10	+5V
11A	11	GND
12A	12	NC
13A	13	NC
14A	14	+15V
15A	15	GND
16A	16	-15V

1B	17	NC
2B	18	NC
3B	19	ADRESSE 1
4B	20	NC
5B	21	NC
6B	22	NC
7B	23	NC
8B	24	NC
9B	25	SPENABGND
10B	26	+5V
11B	27	GND
12B	28	NC
13B	29	NC
14B	30	+15V
15B	31	GND
16B	32	-15V

1C	33	NC
2C	34	NC
3C	35	ADRESSE 0
4C	36	NC
5C	37	NC
6C	38	SCL
7C	39	I2CGND
8C	40	EP
9C	41	EPGND
10C	42	+5V
11C	43	GND
12C	44	NC
13C	45	NC
14C	46	+15V
15C	47	GND
16C	48	-15V



Front View

ART: W1301900	EC: 02	DRAWN: DW	VISA:	
AMPLITUDE SETTING UNIT SUPPLY BOARD REAR PANEL CONNECTOR		DATE: 21/07/93		
		APPROV: DATE:	VISA:	
		DWG: W4C131983	A	SHEET: 1/1

Figure 1.7. Interface board

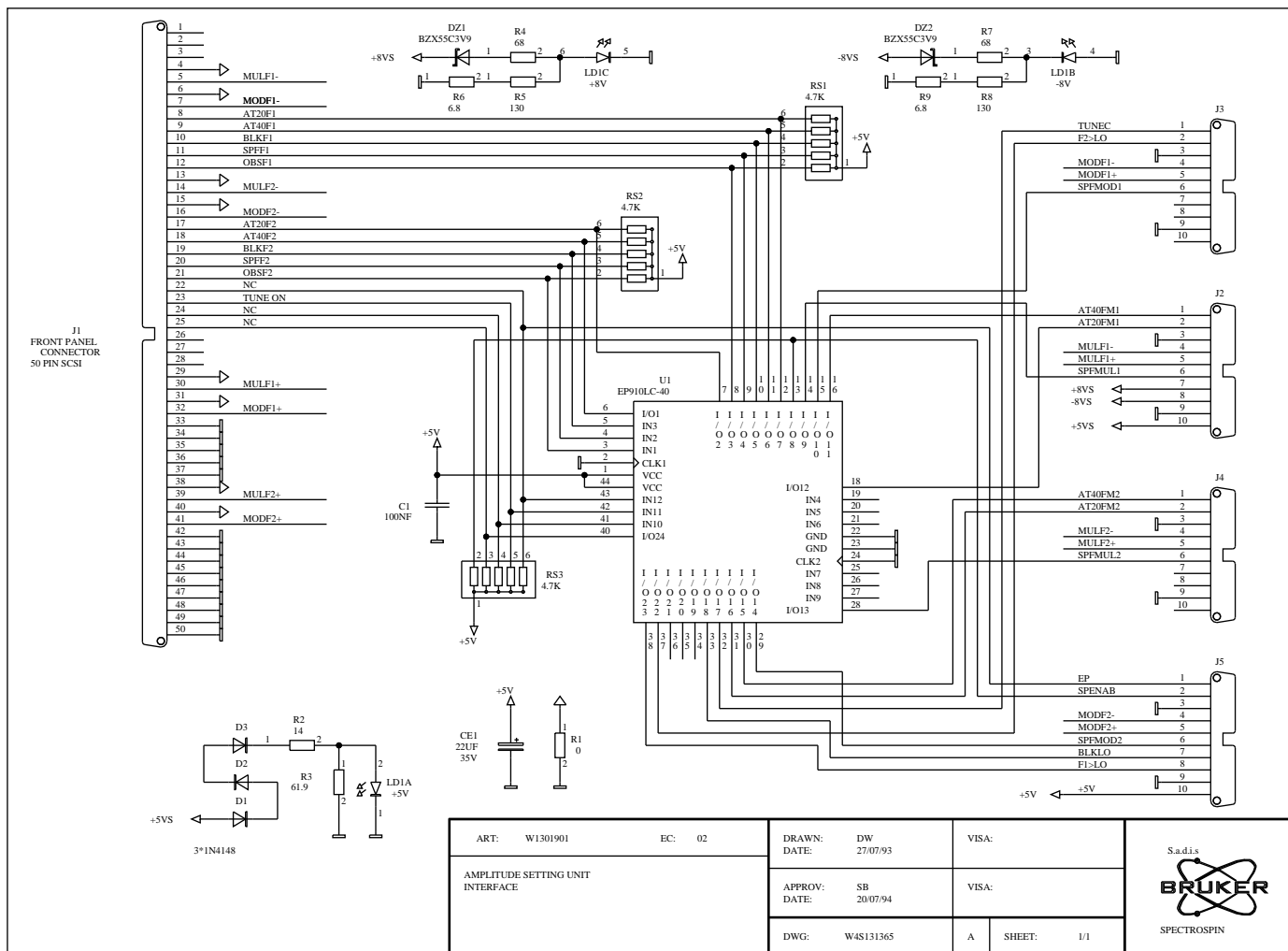


Figure 1.8. Interface board - Location

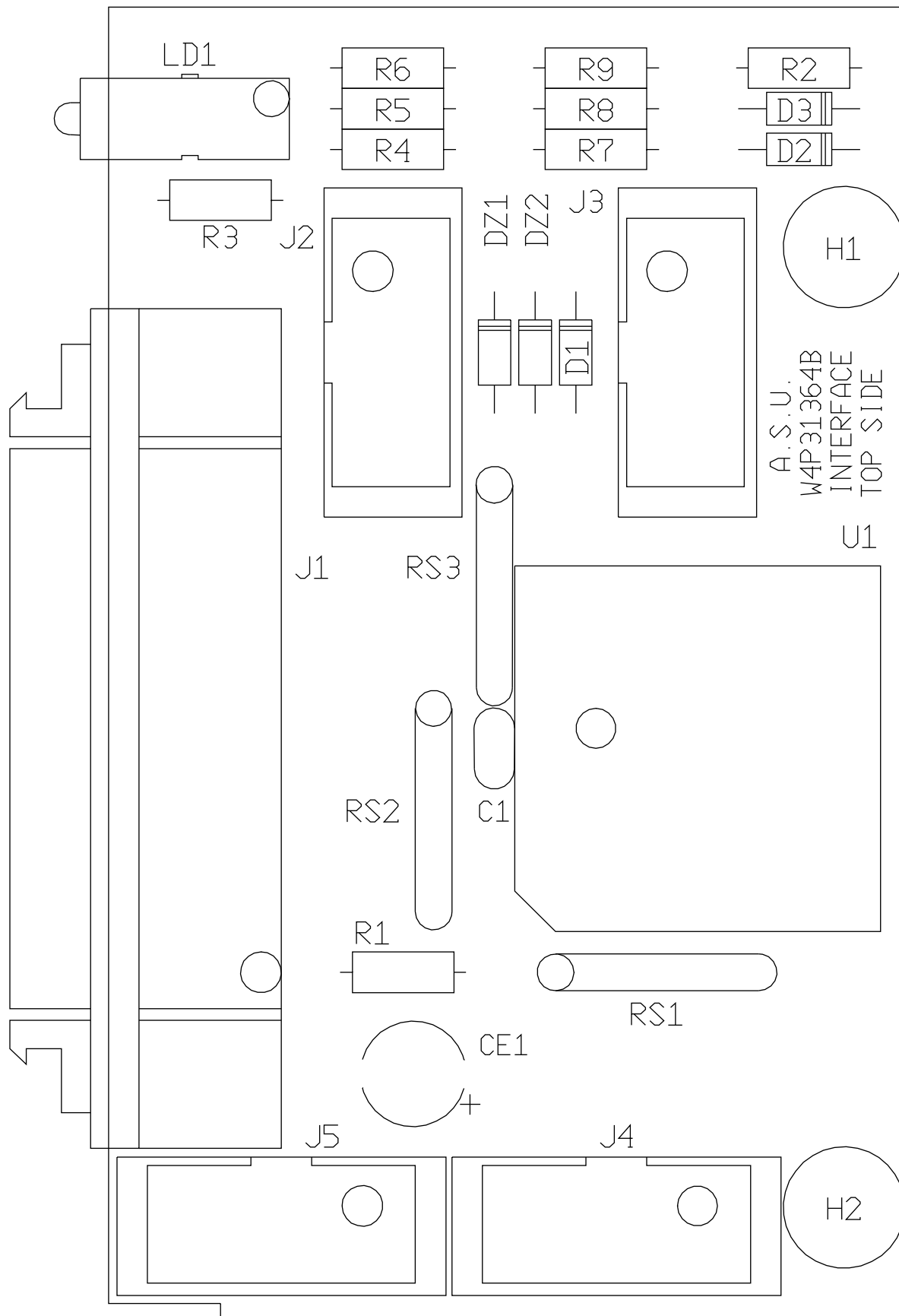
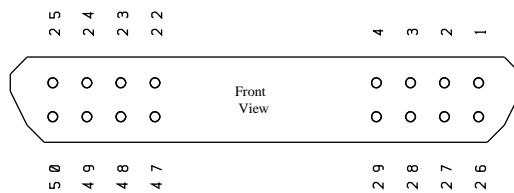


Figure 1.9. Interface board - Output connector

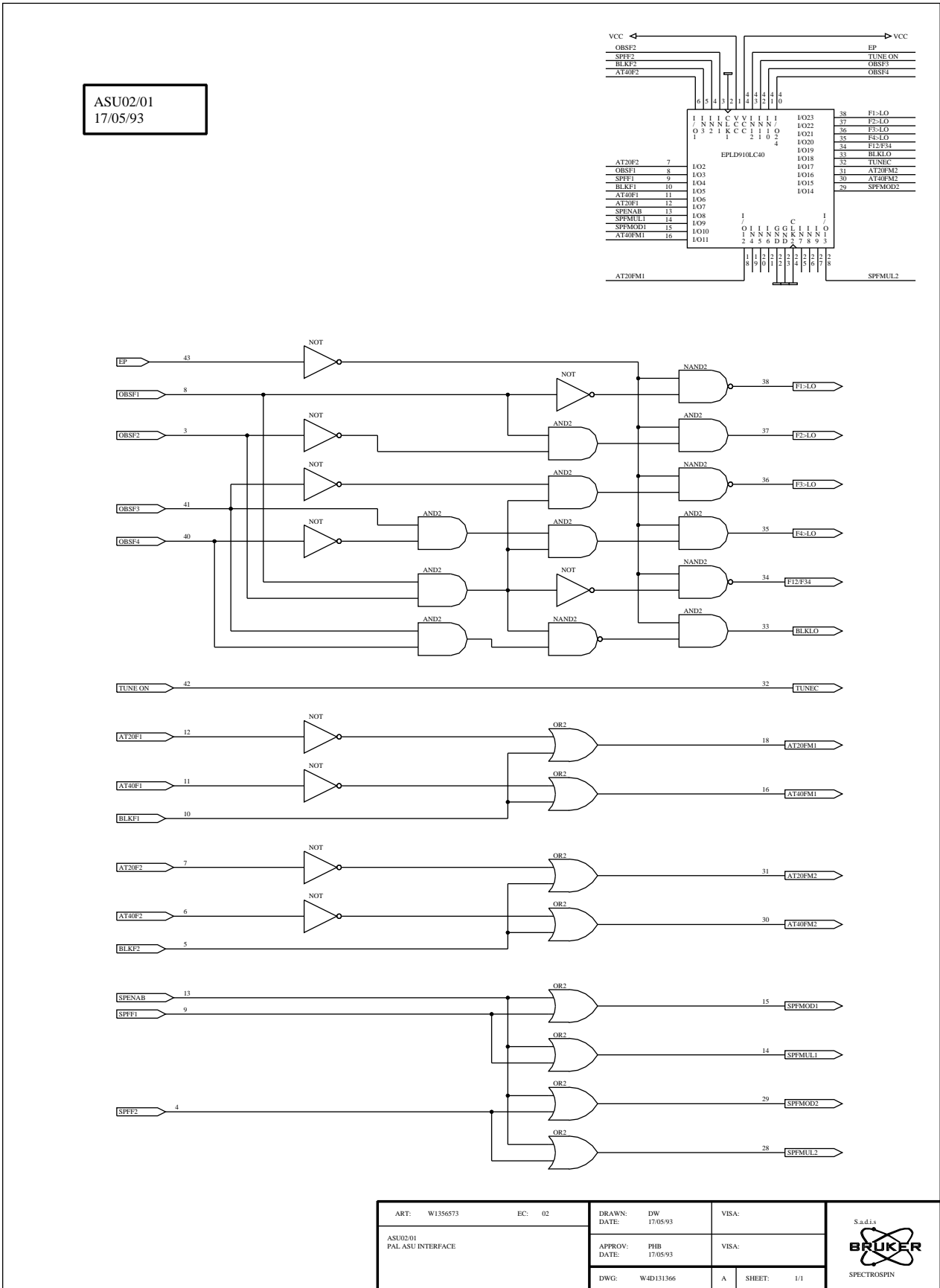
J1 - FRONT PANEL CONNECTOR

01	NC	26	NC
02	NC	27	NC
03	NC	28	NC
04	AGND	29	AGND
05	MULF1-	30	MULF1+
06	AGND	31	AGND
07	MODF1-	32	MODF1+
08	AT20F1	33	DGND
09	AT40F1	34	DGND
10	BLKF1	35	DGND
11	SPFF1	36	DGND
12	OBSF1	37	DGND
13	AGND	38	AGND
14	MULF2-	39	MULF2+
15	AGND	40	AGND
16	MODF2-	41	MODF2+
17	AT20F2	42	DGND
18	AT40F2	43	DGND
19	BLKF2	44	DGND
20	SPFF2	45	DGND
21	OBSF2	46	DGND
22	NC	47	DGND
23	TUNE ON	48	DGND
24	NC	49	DGND
25	NC	50	DGND



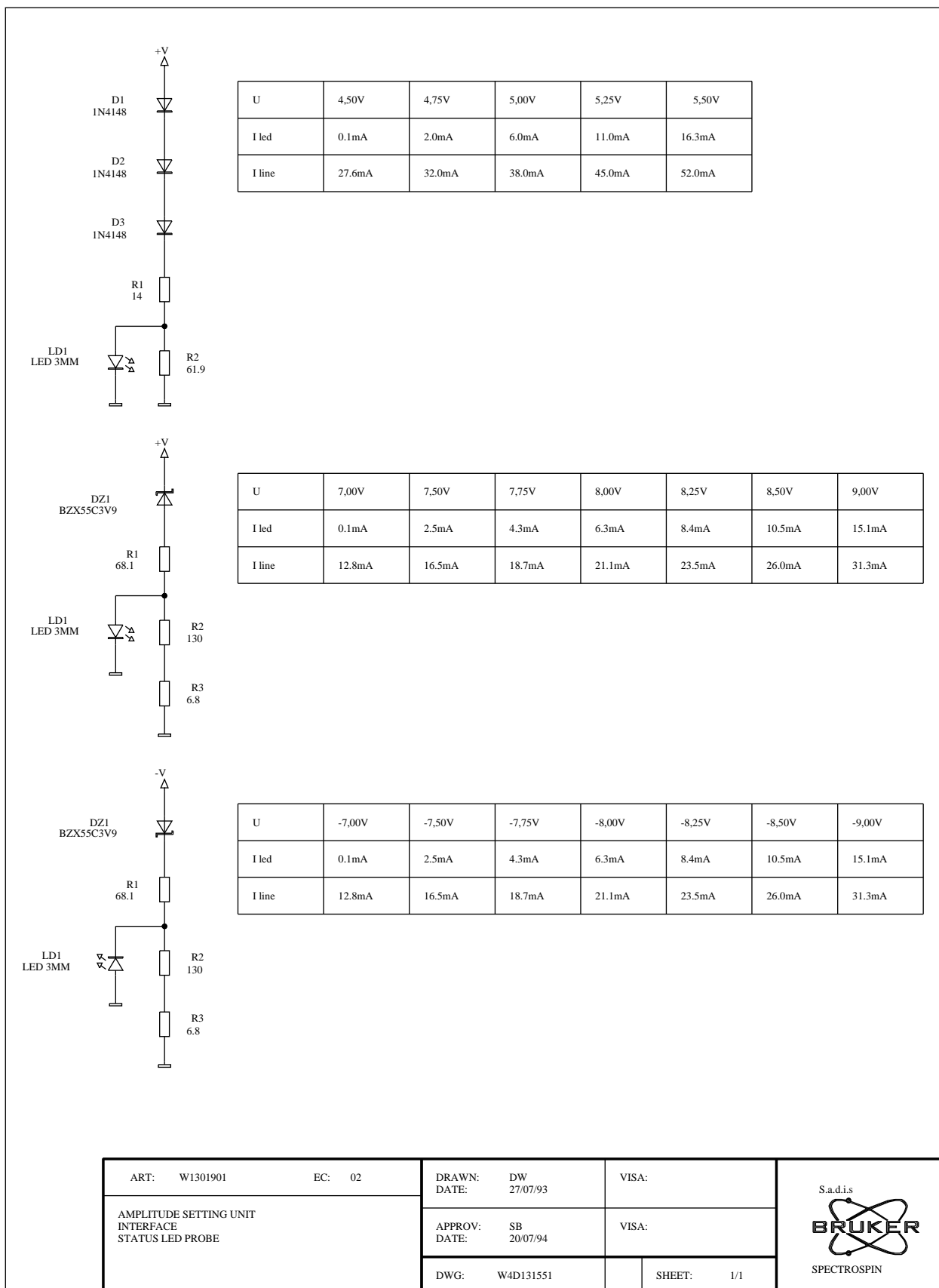
ART: W1301901	EC: 02	DRAWN: DW	VISA:	
AMPLITUDE SETTING UNIT INTERFACE OUTPUT CONNECTOR		DATE: 27/07/93		
		APPROV: SB	VISA:	
		DATE: 20/07/94		
		DWG: W4C131365	A	SHEET: 1/1

Figure 1.10. Pal ASU interface



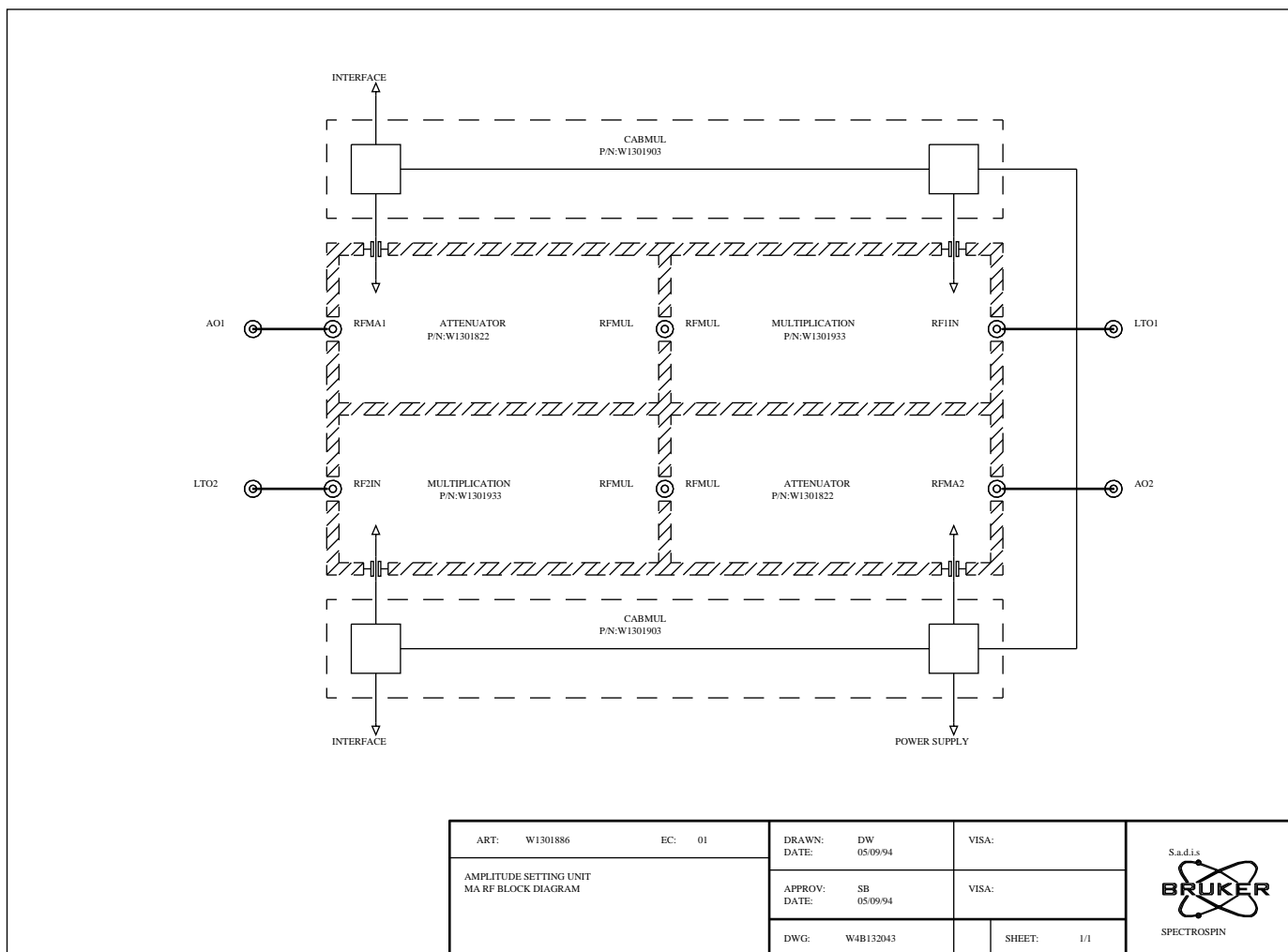
ART: W1356573	EC: 02	DRAWN: DW	VISA:	S.a.d.i.s BRUKER SPECTROSPIN
ASU02/01		DATE: 17/05/93		
PAL ASU INTERFACE		APPROV: PHB	VISA:	
		DATE: 17/05/93		
		DWG: W4D131366	A	SHEET: 1/1

Figure 1.11. Interface - Status led probe



ART: W1301901	EC: 02	DRAWN: DW	VISA:	
AMPLITUDE SETTING UNIT INTERFACE STATUS LED PROBE		DATE: 27/07/93	DATE: 20/07/94	
		DWG: W4D131551	SHEET: 1/1	

Figure 1.12. Multiplication, Attenuation - RF block diagram



ART: W1301886	EC: 01	DRAWN: DW	DATE: 05/09/94	VISA:
AMPLITUDE SETTING UNIT MA RF BLOCK DIAGRAM		APPROV: SB	DATE: 05/09/94	VISA:
		DWG: W4B132043		SHEET: 1/1



Figure 1.13. Multiplication board with attenuator 6 dB

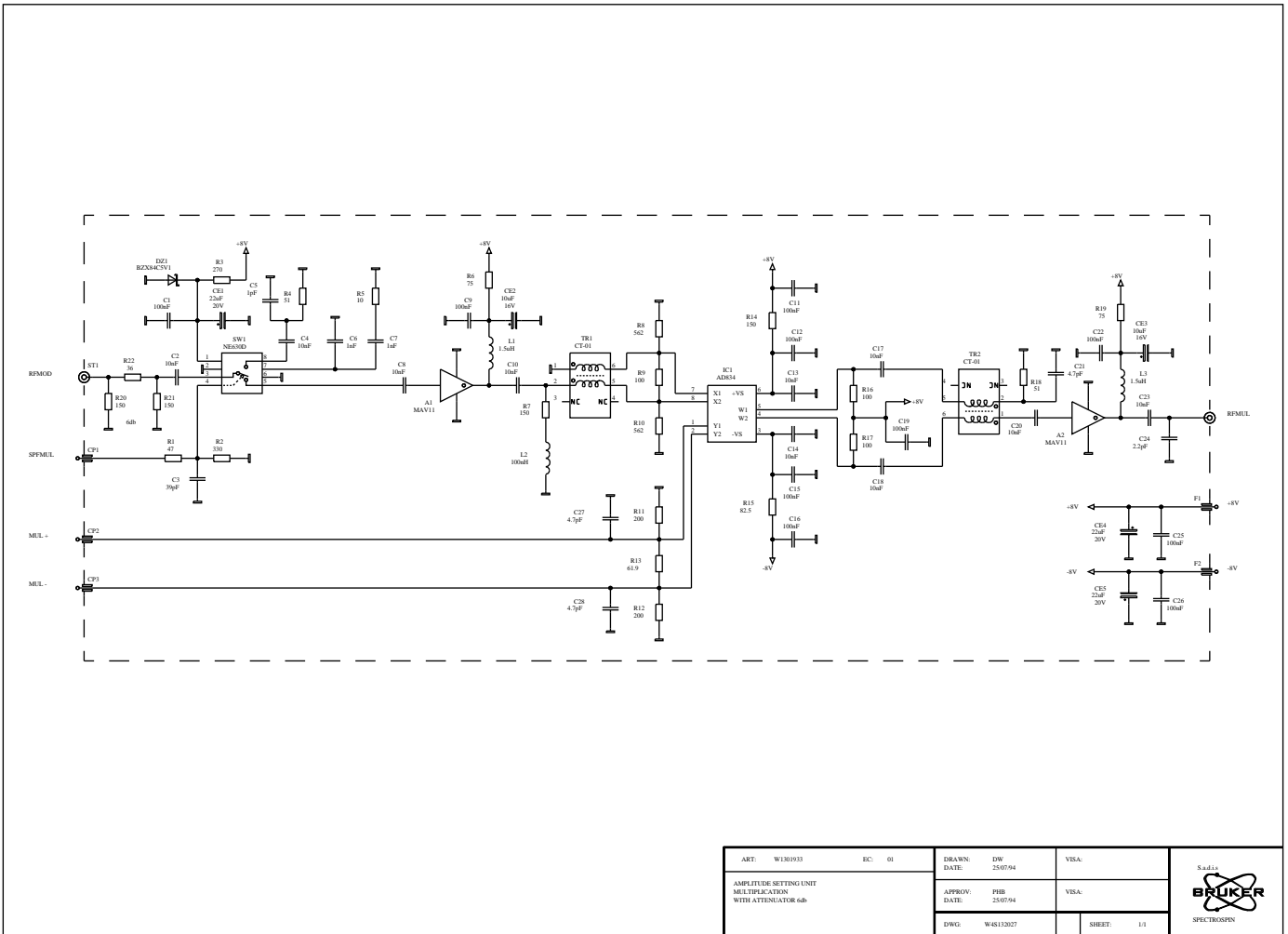
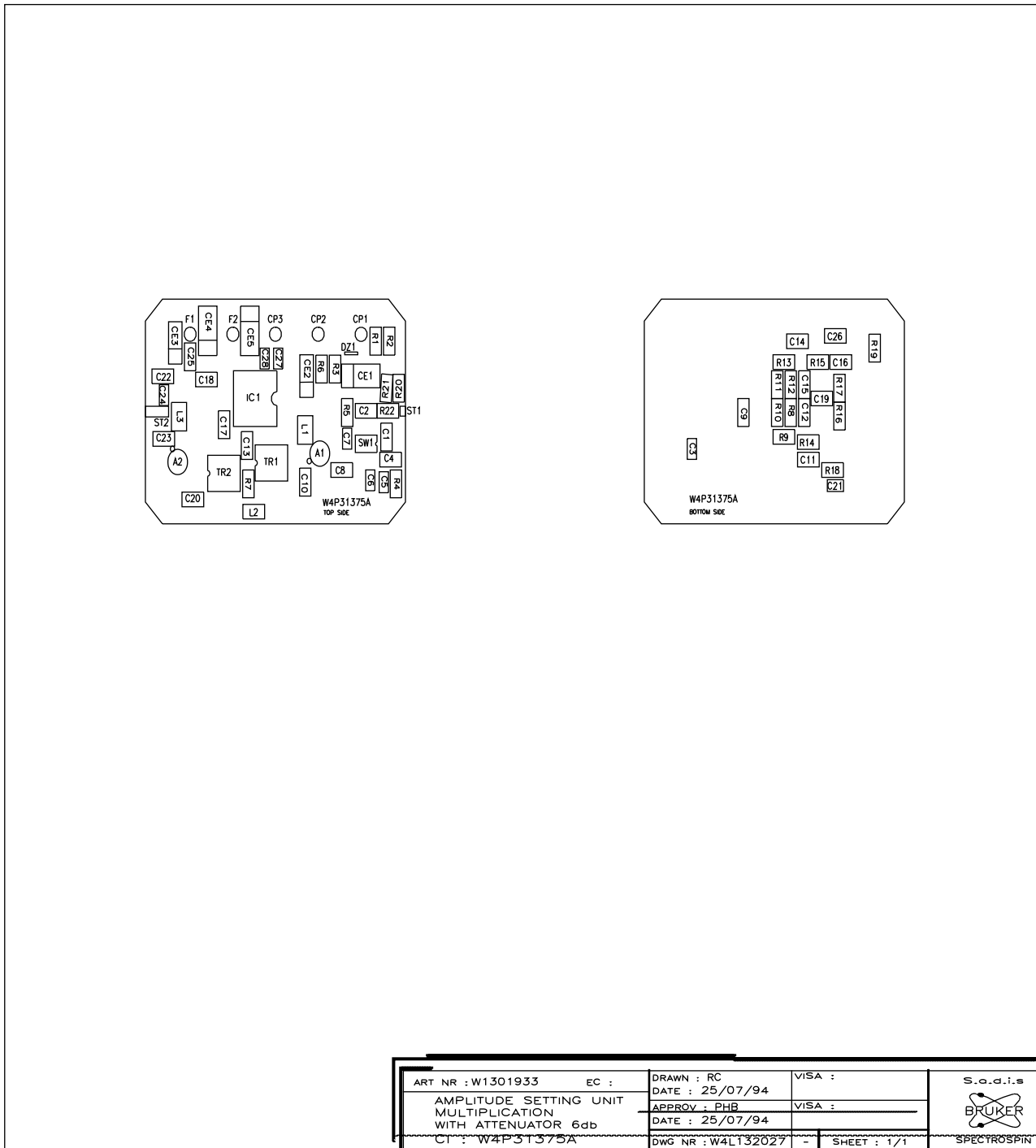


Figure 1.14. Multiplication board with attenuator 6 dB - Location



ART NR : W1301933	EC :	DRAWN : RC	VISA :	
AMPLITUDE SETTING UNIT		DATE : 25/07/94	VISA :	
MULTIPLICATION		APPROV : PHB	VISA :	
WITH ATTENUATOR 6db		DATE : 25/07/94		
CI : W4P31375A		DWG NR : W4L132027	SHEET : 1/1	

Figure 1.15. Attenuator and driver board

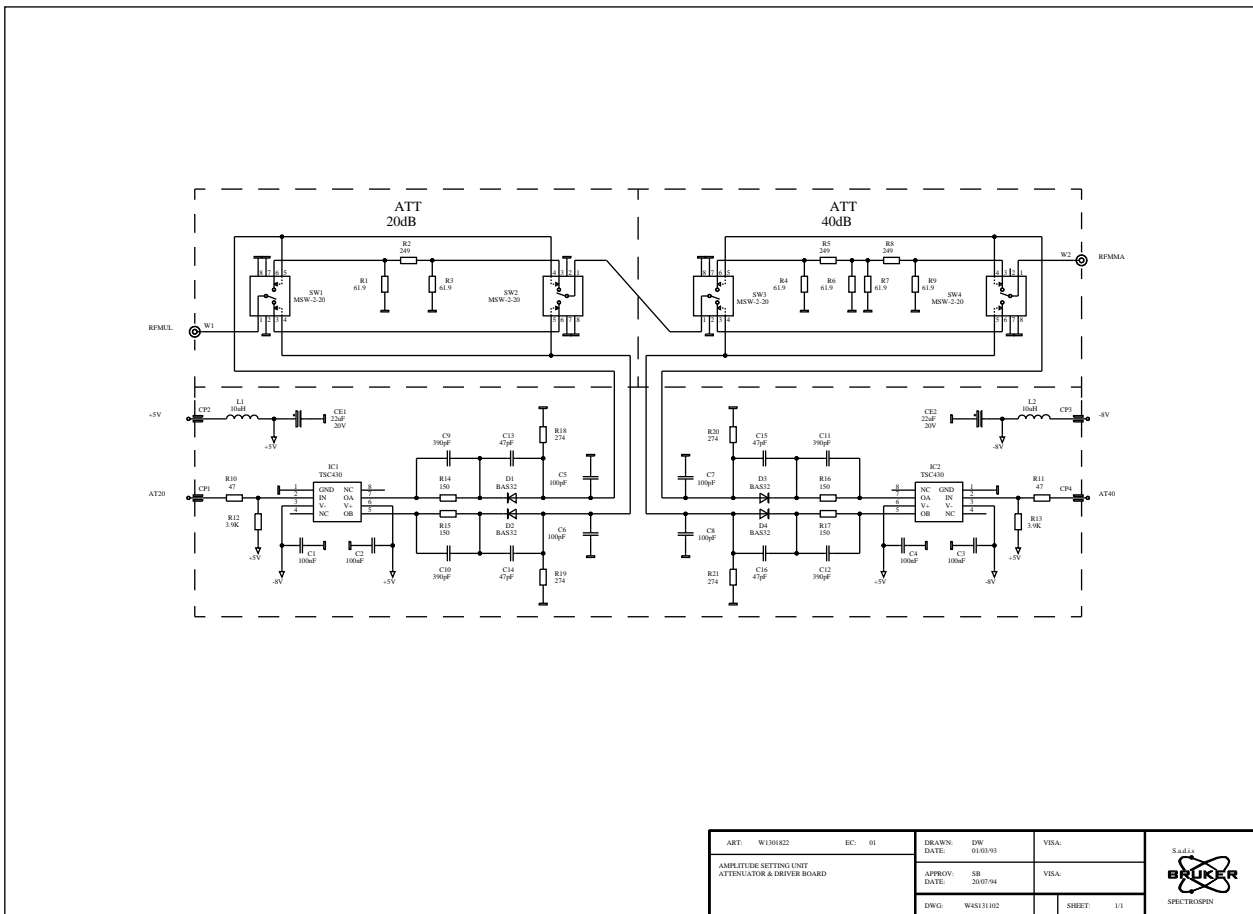


Figure 1.16. Attenuator and driver board - Location

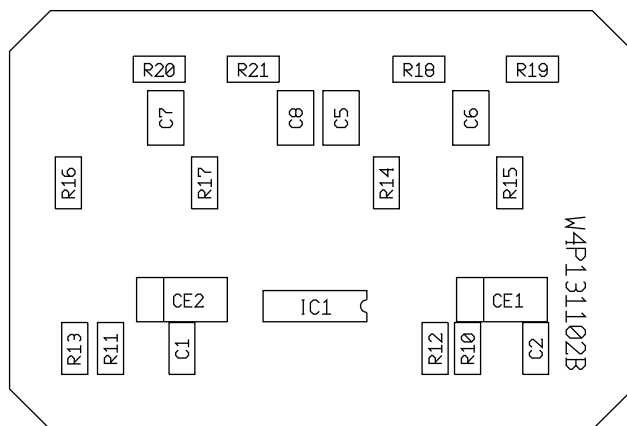
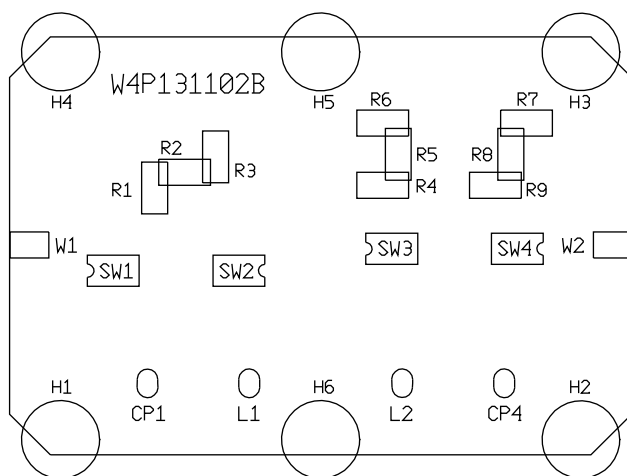


Figure 1.17. Switch RF block diagram

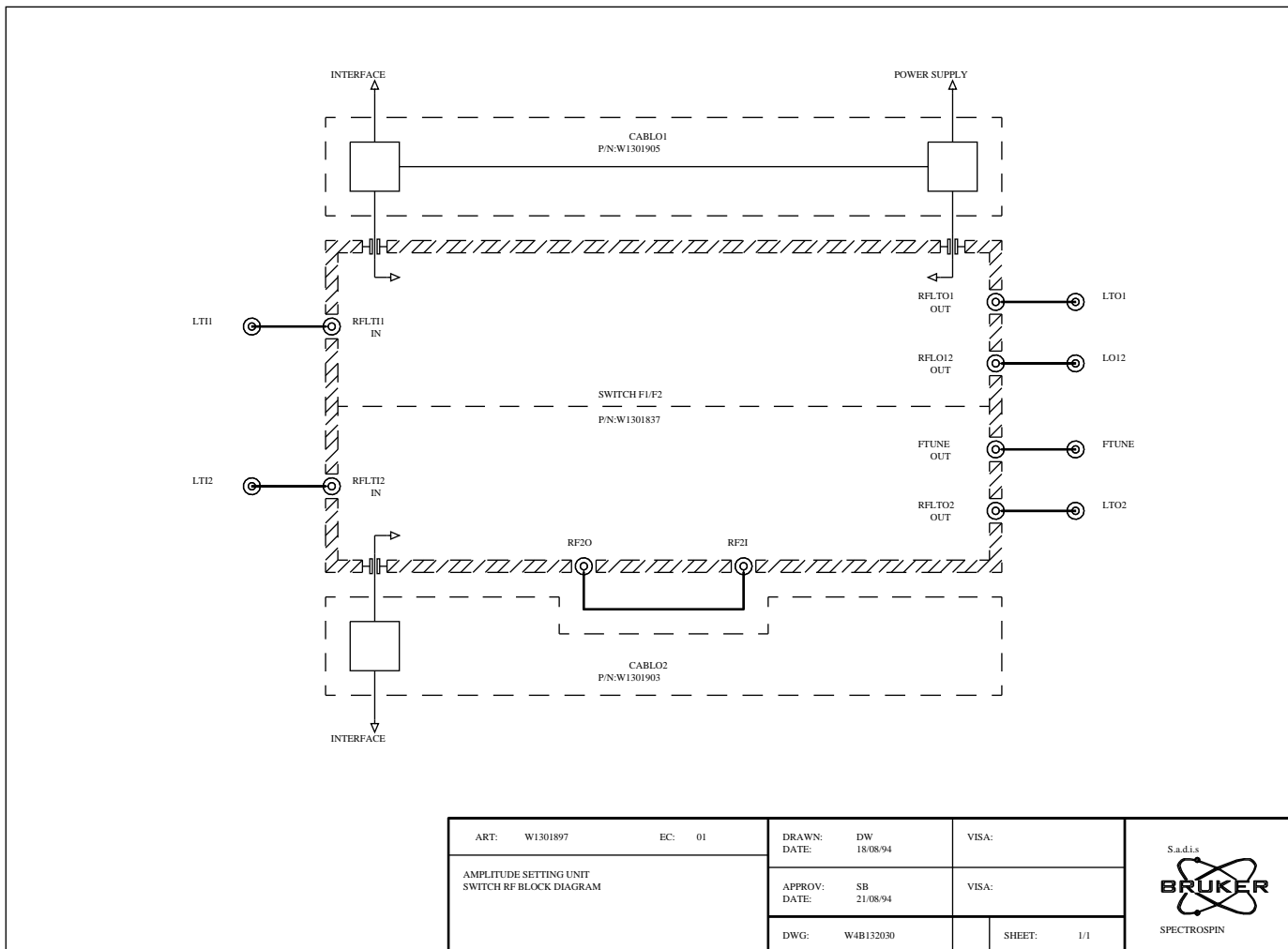
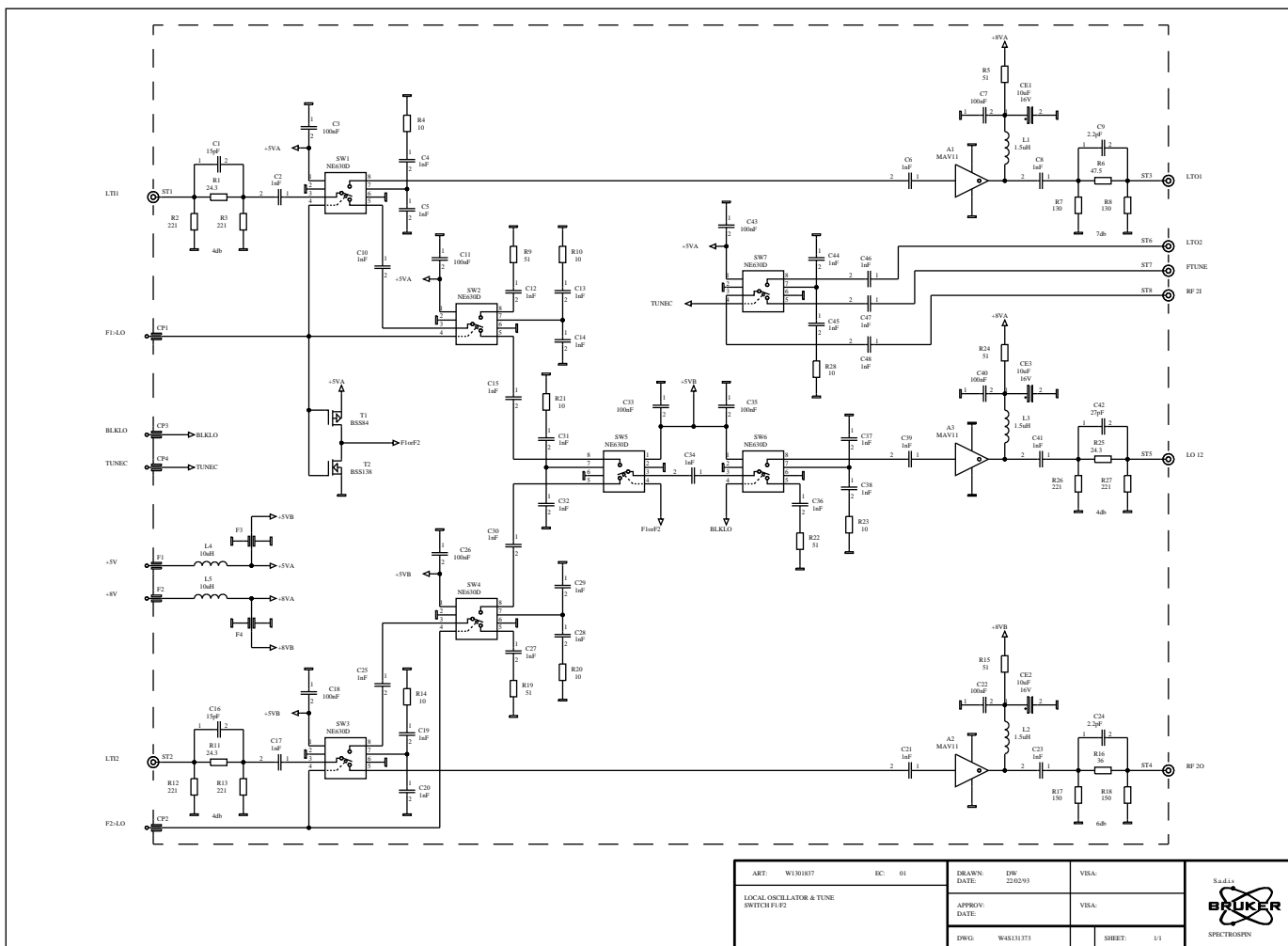


Figure 1.18. Switch board F1/F2

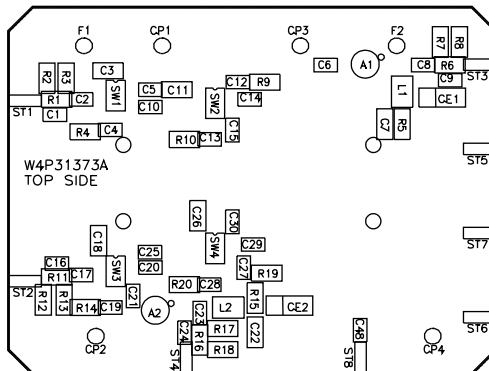
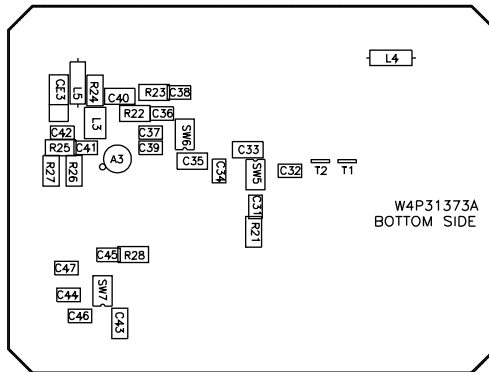


ART: W130187	EC: 01	DRAWN: DW	DW: 22.02.93	VISA:
LOCAL OSCILLATOR & TUNE SWITCH F1/F2		APPROV:	DATE:	VISA:
		DWG: W6813173		SHEET: 1/1

Sa-114

 SPECTROSPIN

Figure 1.19. Switch board F1/F2 - Location



ART NR : W1301837	EC :	DRAWN : RC	VISA :	S.a.d.i.s BRUKER SPECTROSPIN
ASU SWITCH LO/T - F1/F2 CI : W4P31373A		DATE : 14/06/95	VISA :	
		APPROV : SB	VISA :	
		DATE : 14/06/95		
		DWG NR : W4L31373	A	SHEET : 1/1

Figures

Contents 1

Schematics 3

Amplitude setting unit / Local oscillator & tune - Front panel 4

ASU / LOT - RF Block diagram 5

ASU / LOT - Wiring diagram 6

Supply board 7

Supply board - Location 8

Supply board - J1 rear panel connector 9

Interface board 10

Interface board - Location 11

Interface board - Output connector 12

Pal ASU interface 13

Interface - Status led probe 14

Multiplication, Attenuation - RF block diagram 15

Multiplication board with attenuator 6 dB 16

Multiplication board with attenuator 6 dB - Location 17

Attenuator and driver board 18

Attenuator and driver board - Location 19

Switch RF block diagram 20

Switch board F1/F2 21

Switch board F1/F2 - Location 22

Figures 23

