

**BLAXH20
200-400MHz**

**TECHNICAL
MANUAL**

Version 003

Sadis BRUKER SPECTROSPIN

The information in this manual may be altered without notice.

Sadis BRUKER SPECTROSPIN accepts no responsibility for actions taken as a result of use of this manual. Sadis BRUKER SPECTROSPIN accepts no liability for any mistakes contained in the manual, leading to coincidental damage, whether during installation or operation of the instrument. Unauthorised reproduction of manual contents, without written permission from the publishers, or translation into another language, either in full or in part, is forbidden.

This manual was written by

M.Dominique WURTZ
©28. Fevrier 1996 : Sadis BRUKER SPECTROSPIN
Wissembourg, FRANCE
P/N: W1302176

Updated for BASH 2.0 by U. Roos - December 1996

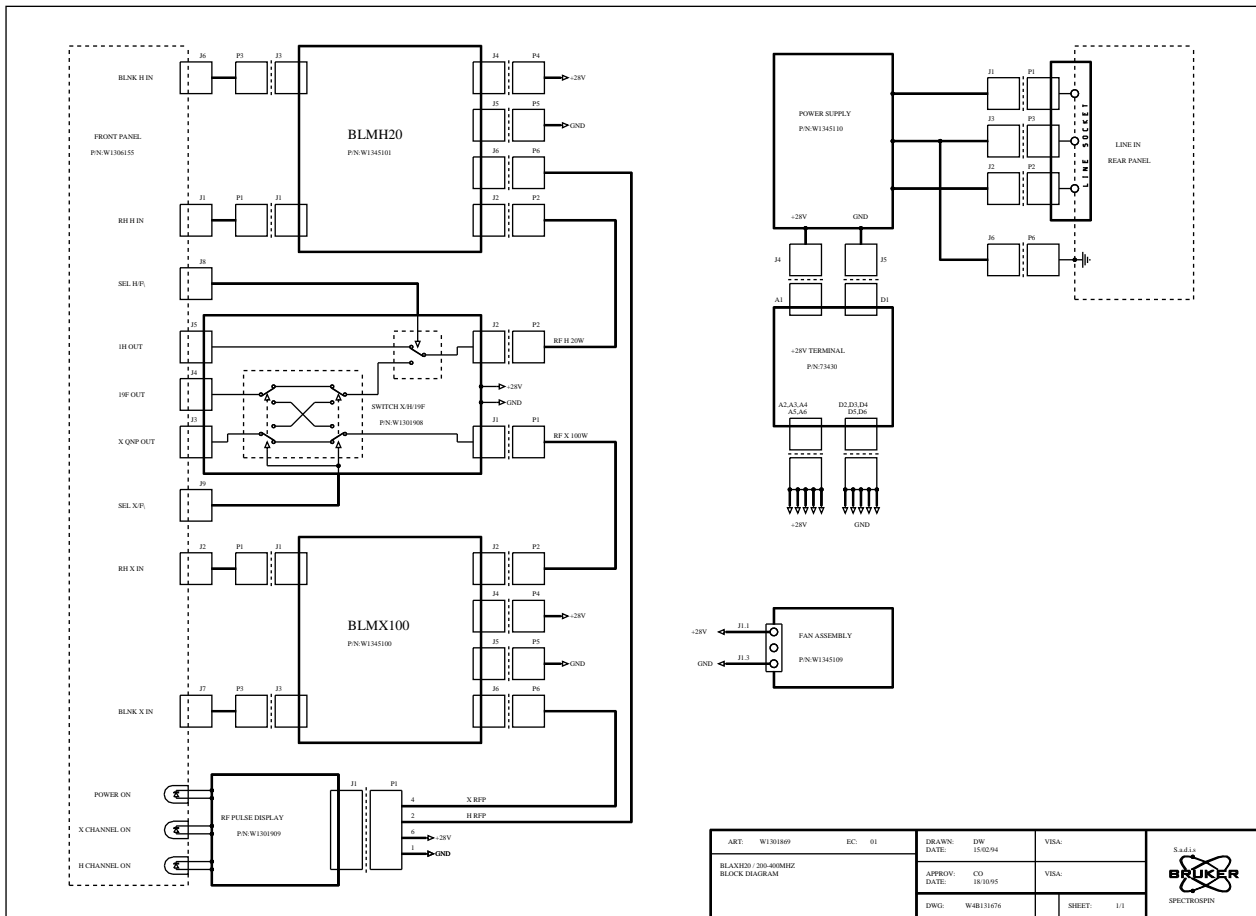
P/N Z31234
DWG-Nr: 905 003

Contents

| | | |
|----------|--------------------------------|-----------|
| 1 | <i>Contents</i> | 1 |
| 2 | <i>Schematics</i> | 3 |
| | <i>Figures</i> | 23 |

Schematics

Figure 2.1. BLMX20 / 200-400 Mhz



| | | | | |
|--------------------------------------|--------|---------------------|------------|--|
| ART: W1301869 | EC: 01 | DRAWN: DW 15/02/94 | VISA | |
| BLMX20 / 200-400MHZ BLOCK DIAGRAM | | APPROV: CO 18/10/95 | VISA | |
| | | DWG: W48131076 | SHEET: 1/1 | |

Figure 2.2. BLA power supply assembly 2

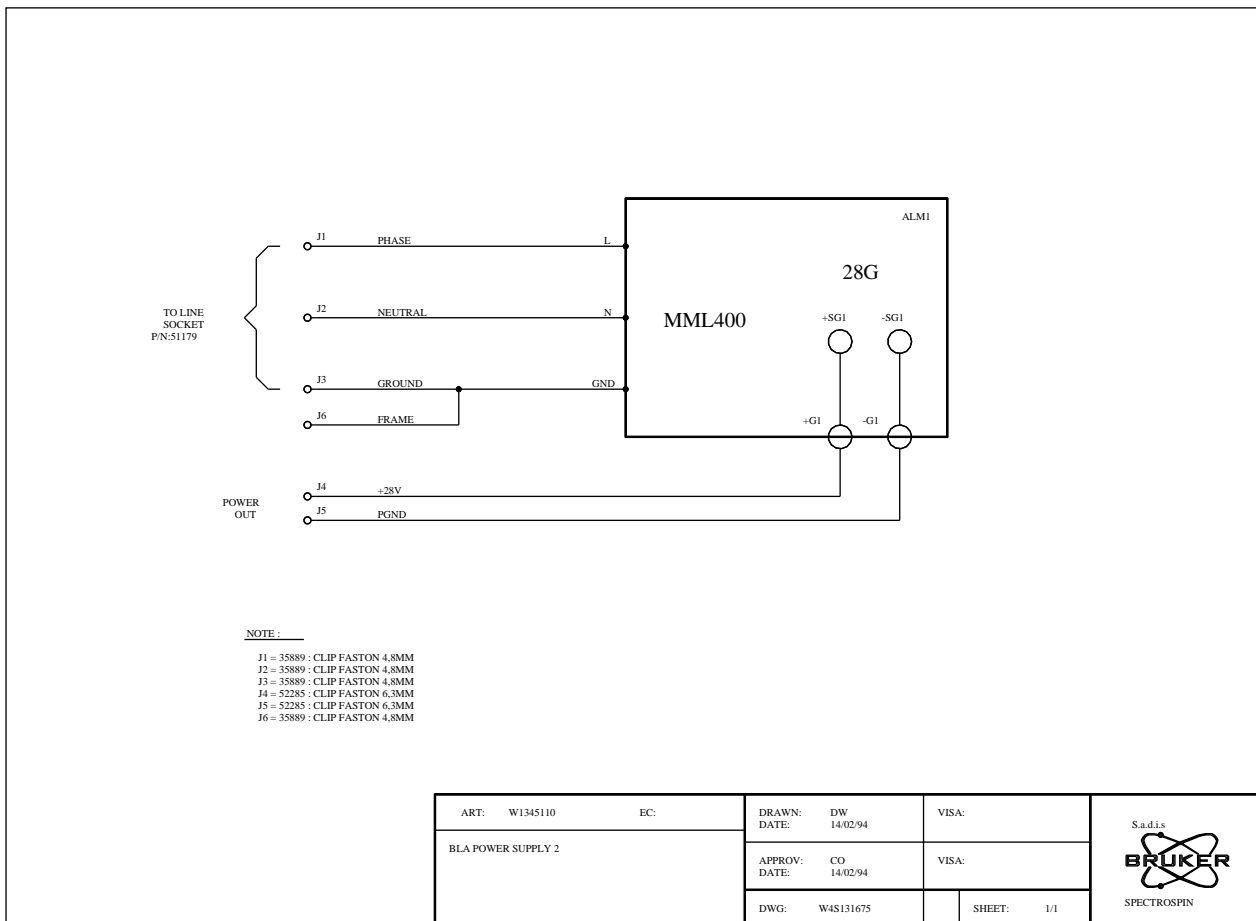
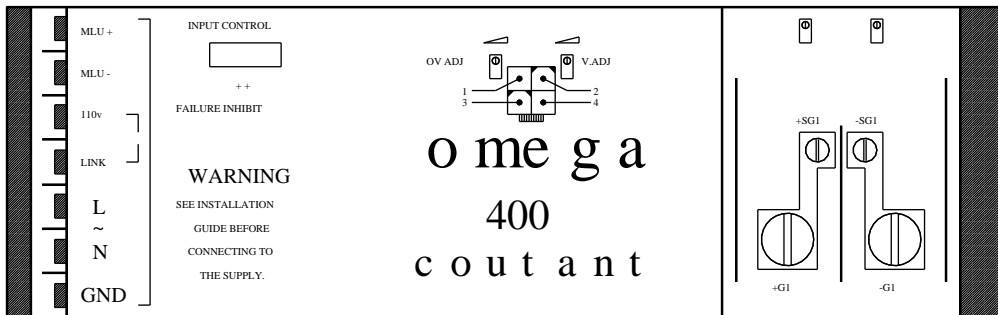


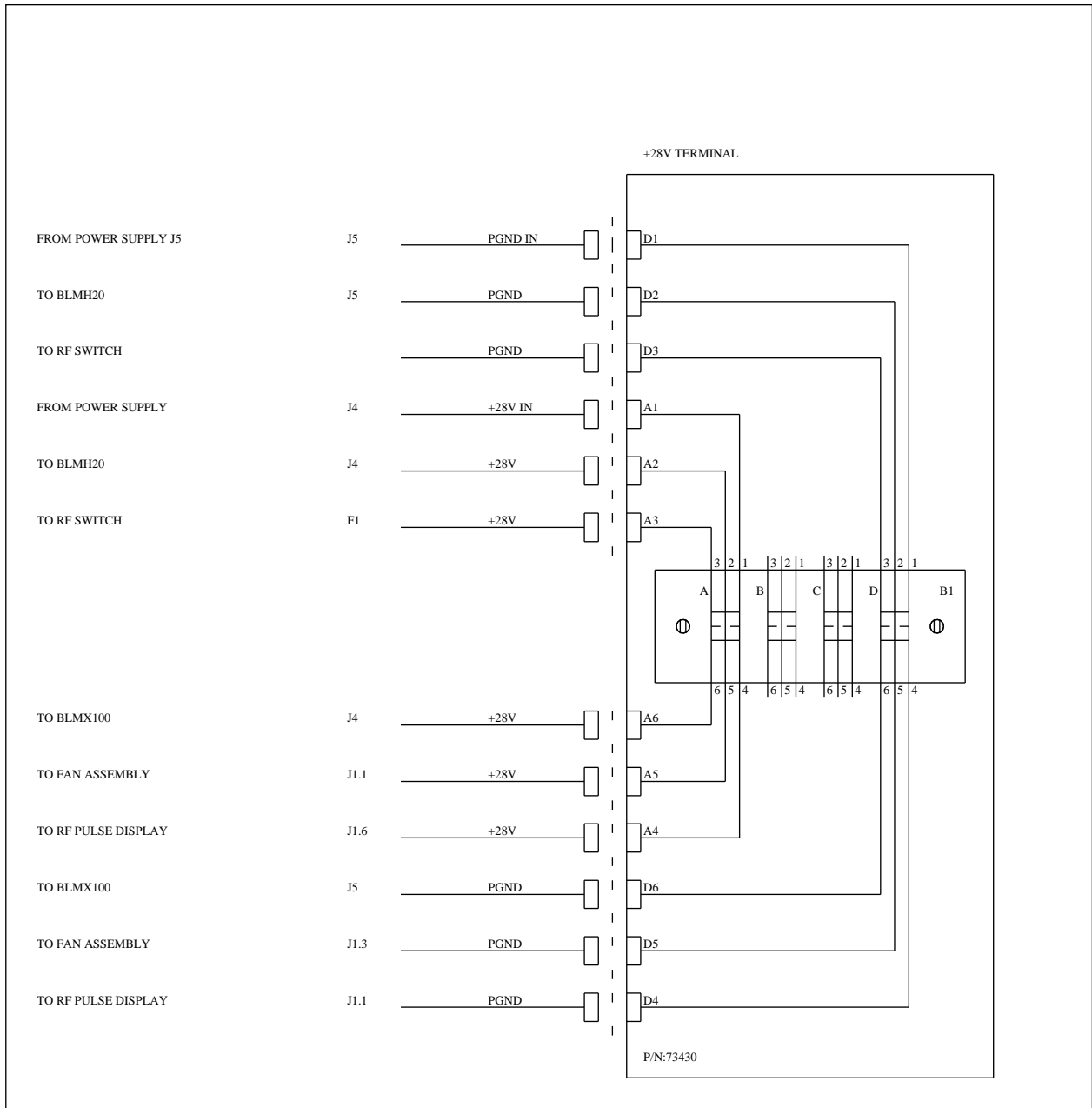
Figure 2.3. Power supply location



| | | | | |
|-------------------------------|-----|----------------|----------------|-------|
| ART: W1345110 | EC: | DRAWN: DW | DATE: 14/02/94 | VISA: |
| POWER SUPPLY OMEGA 400 28G | | APPROV: CO | DATE: 14/02/94 | VISA: |
| P/N:58785 | | DWG: W4L131675 | SHEET: 1/1 | |



Figure 2.4. +28 volt terminal



NOTE :
1. B1 = 3070-PCM-04-5.033


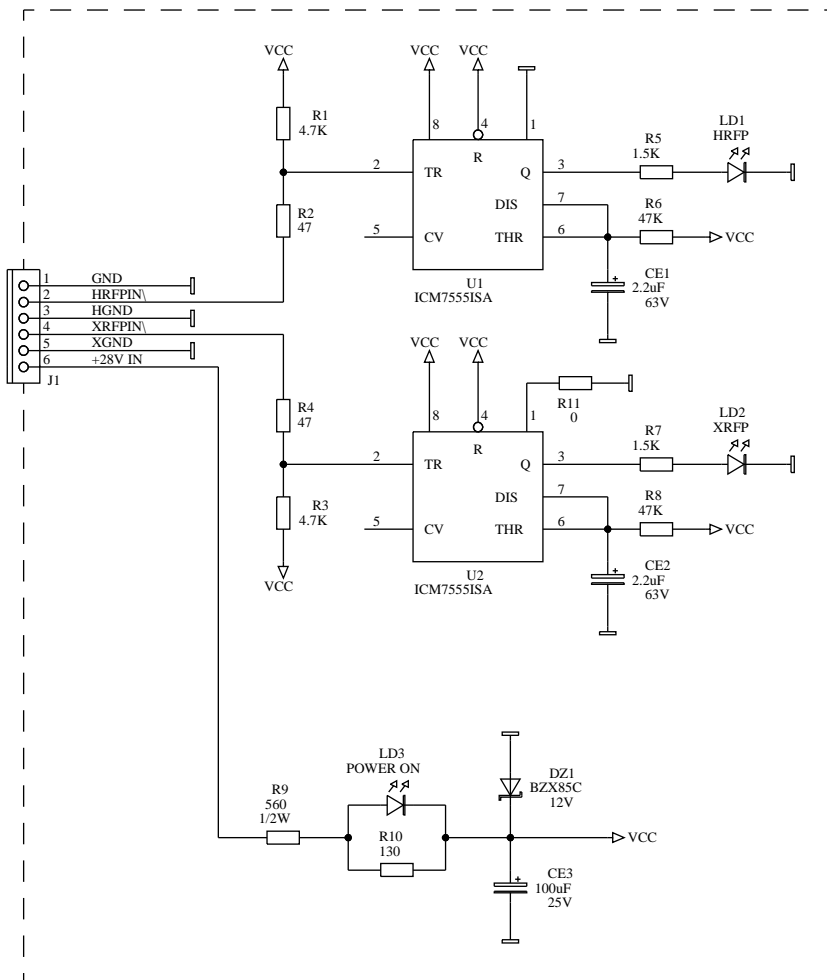
| | | | | |
|--|-----|------------------------------|------------|---|
| ART: 73430 | EC: | DRAWN: DW DATE: 16/02/94 | VISA: | S.a.d.i.s  SPECTROSPIN |
| +28V TERMINAL ASSEMBLY INTERCONNECT DRAWING | | APPROV: CO DATE: 16/02/94 | VISA: | |
| | | DWG: W4W131674 | SHEET: 1/1 | |

Figure 2.5. RF pulse display




| | | | | |
|------------------|--------|----------------|------------|---|
| ART: W1301909 | EC: 01 | DRAWN: DW | VISA: | S.a.d.i.s  SPECTROSPIN |
| RF PULSE DISPLAY | | DATE: 23/06/93 | VISA: | |
| | | APPROV: PHB | VISA: | |
| | | DATE: 23/06/93 | | |
| | | DWG: W4S131450 | SHEET: 1/1 | |

Figure 2.6. RF pulse display layout

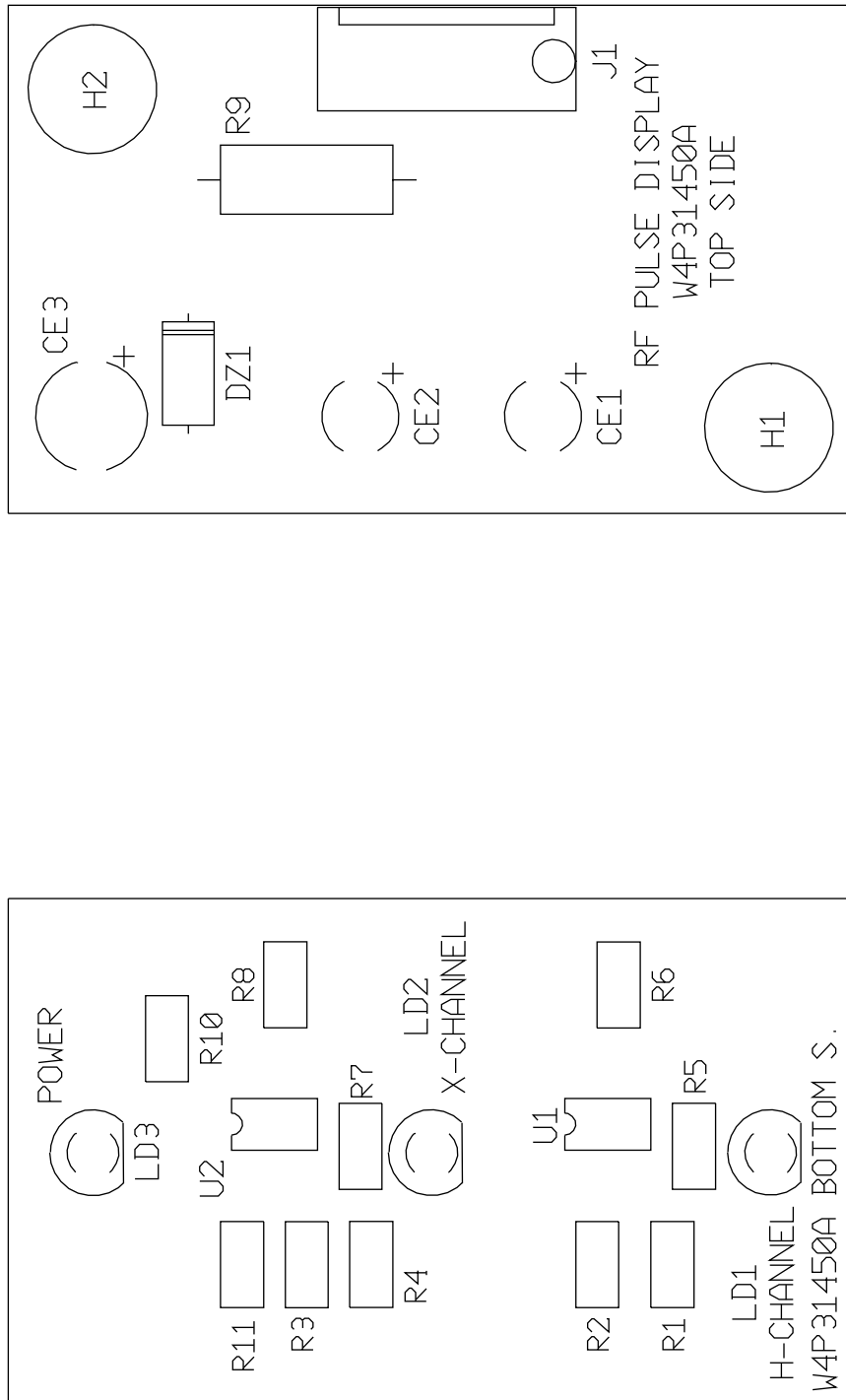
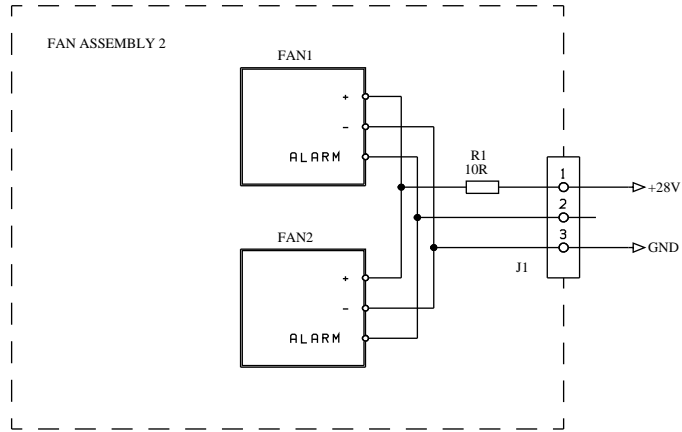


Figure 2.7. Fan assembly 2




| | | | | |
|----------------|-----|----------------|------------|---|
| ART: W1345109 | EC: | DRAWN: DW | VISA: | S.a.d.i.s  SPECTROSPIN |
| FAN ASSEMBLY 2 | | DATE: 11/02/94 | VISA: | |
| | | APPROV: CO | VISA: | |
| | | DATE: 22/02/96 | | |
| | | DWG: W4S131673 | SHEET: 1/1 | |

Figure 2.8. BLMH20 / 200-400 Mhz

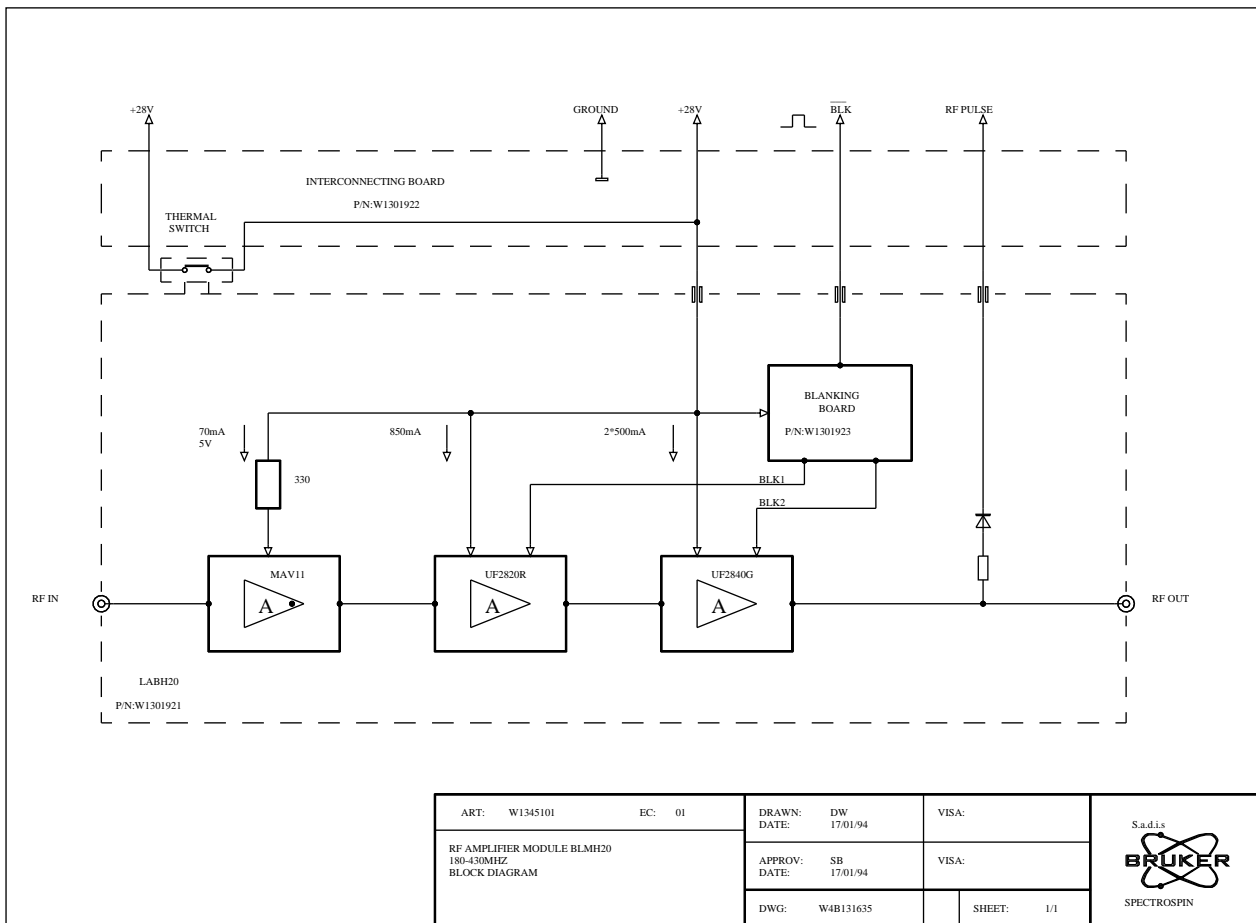


Figure 2.9. LABH20 / 200-400 Mhz

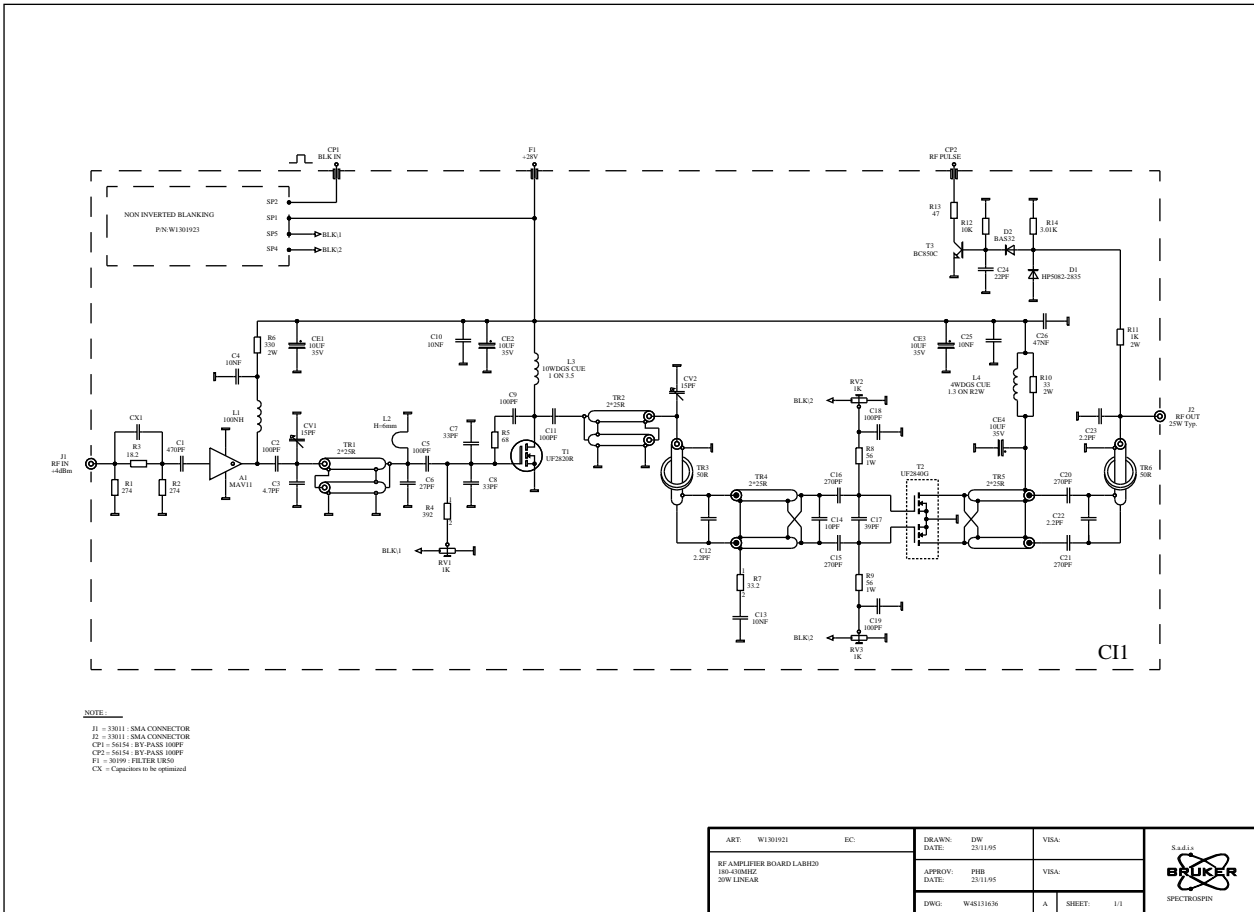


Figure 2.10. Blanking board

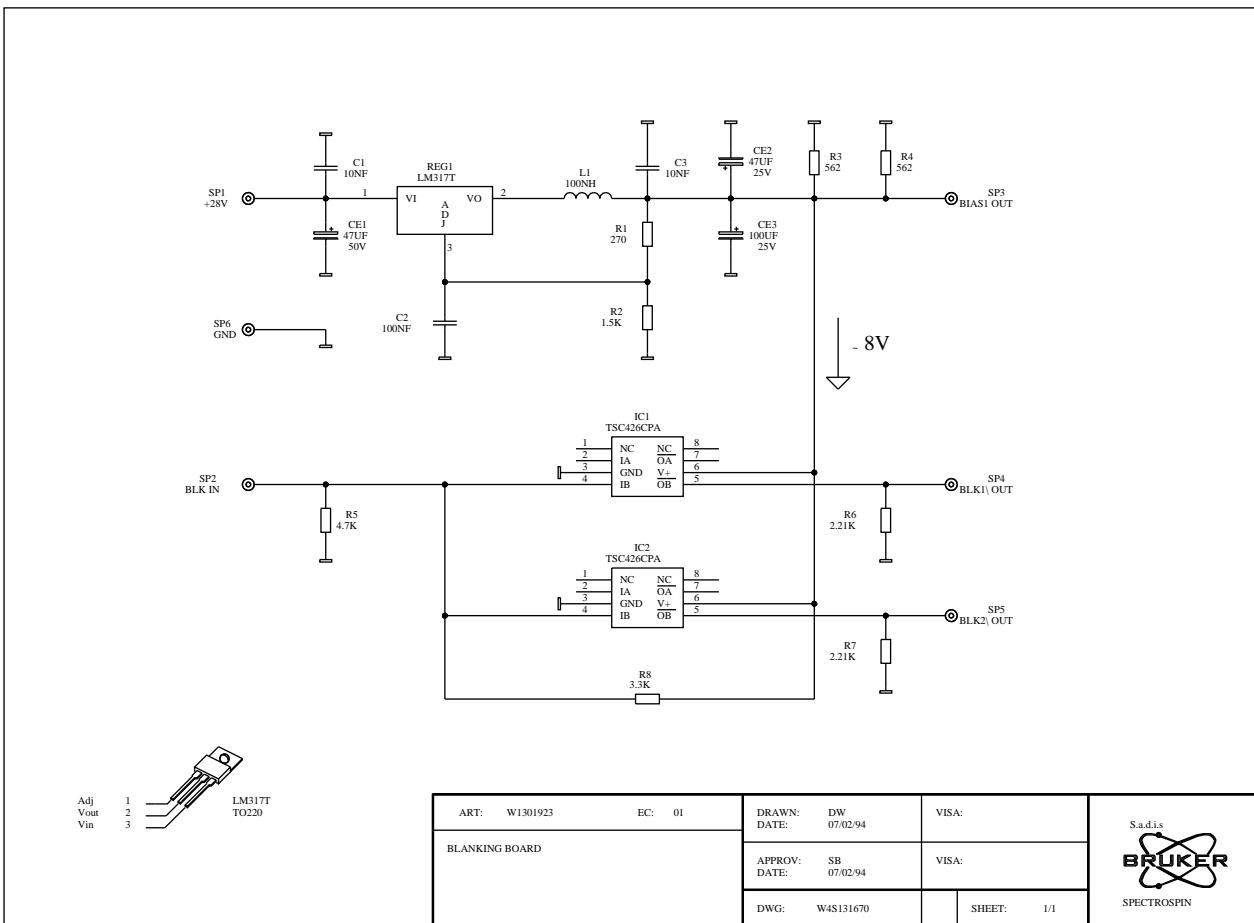


Figure 2.11. Blanking board layout

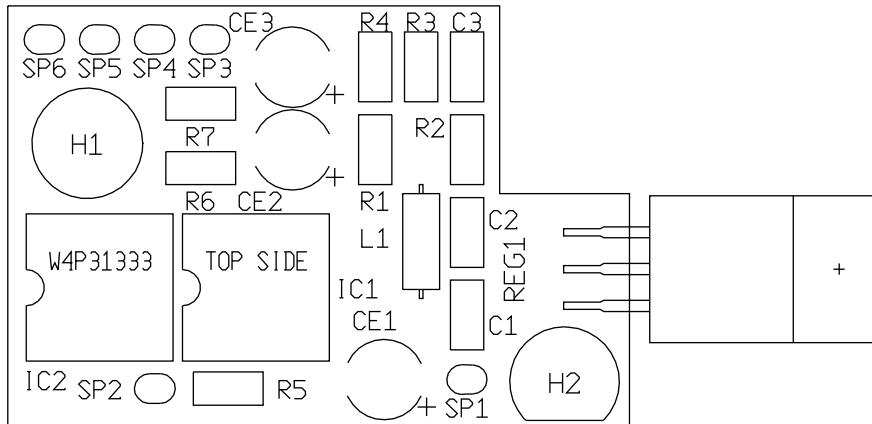
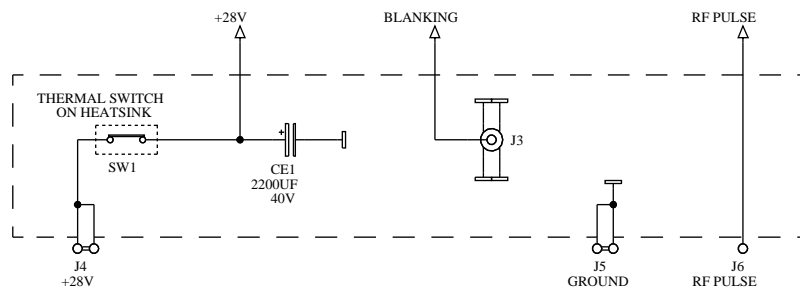


Figure 2.12. BLMH20 - Interconnecting board



NOTE :

SW1 = 32294 : THERMOCLIPS 70° C


| | | | | |
|-----------------------|--------|----------------|------------|---|
| ART: W1301922 | EC: 01 | DRAWN: DW | VISA: | S.a.d.i.s  SPECTROSPIN |
| INTERCONNECTING BOARD | | DATE: 08/02/94 | VISA: | |
| | | APPROV: SB | VISA: | |
| | | DATE: 08/02/94 | | |
| | | DWG: W4S131484 | SHEET: 1/1 | |

Figure 2.13. BLMX100 / 6-202 Mhz

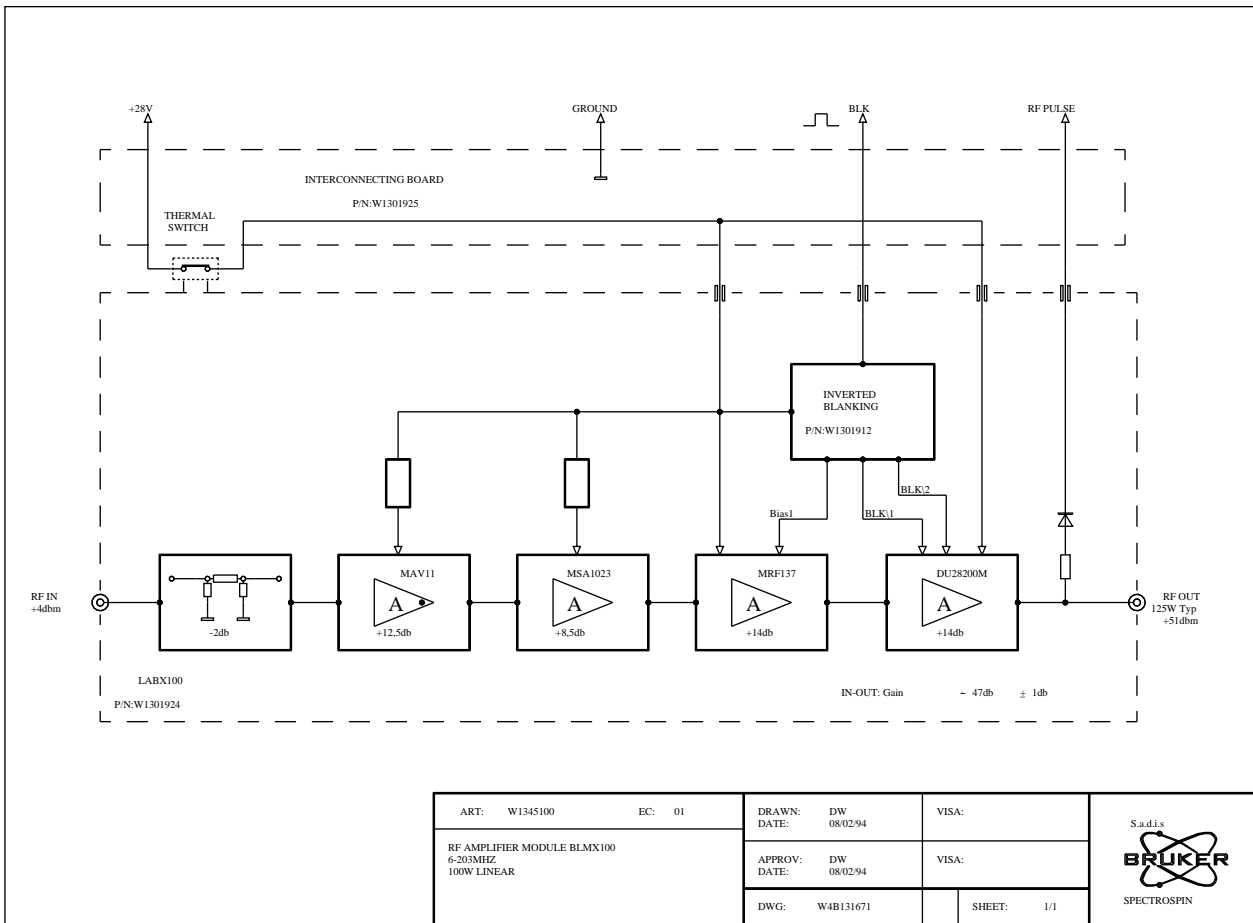


Figure 2.14. LABX100 / 6-202 Mhz

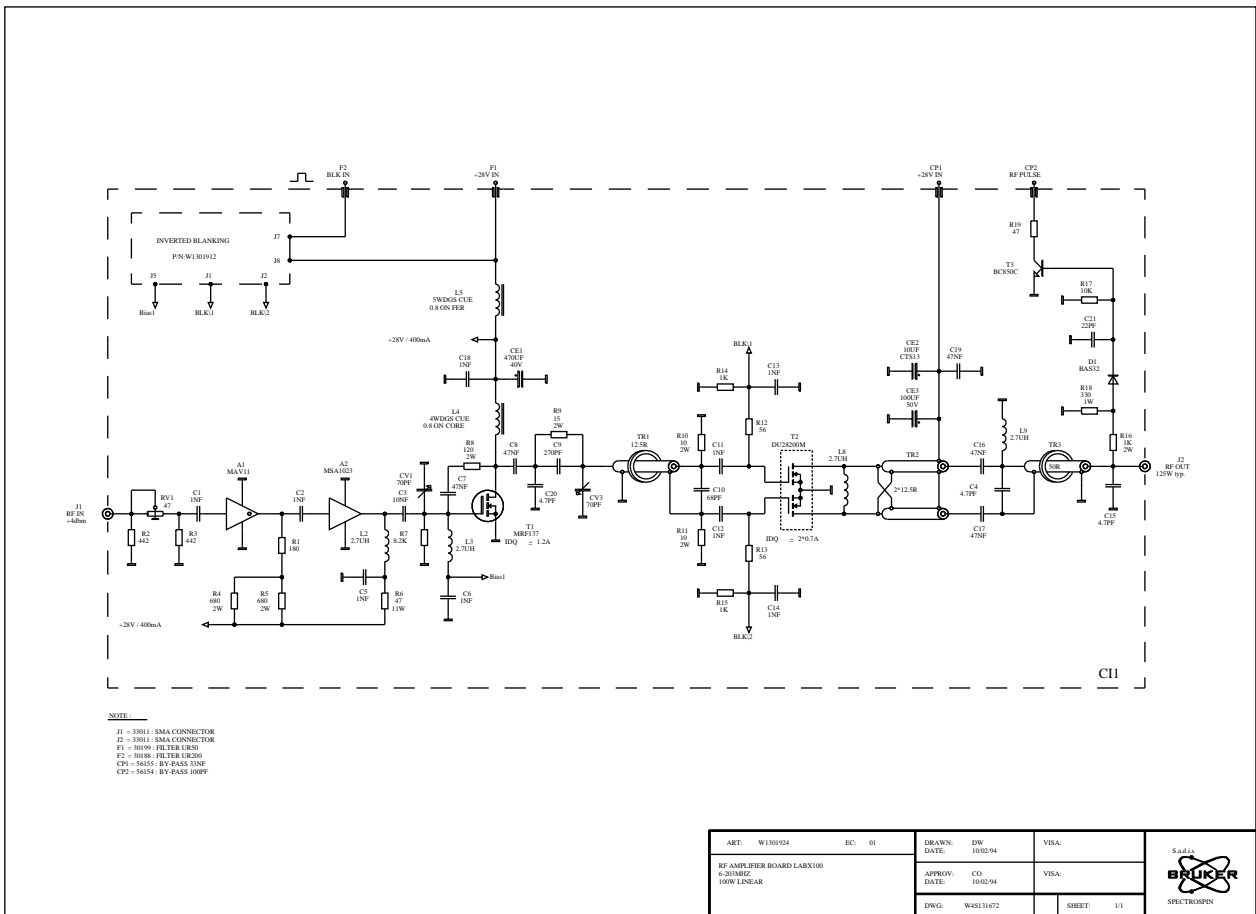
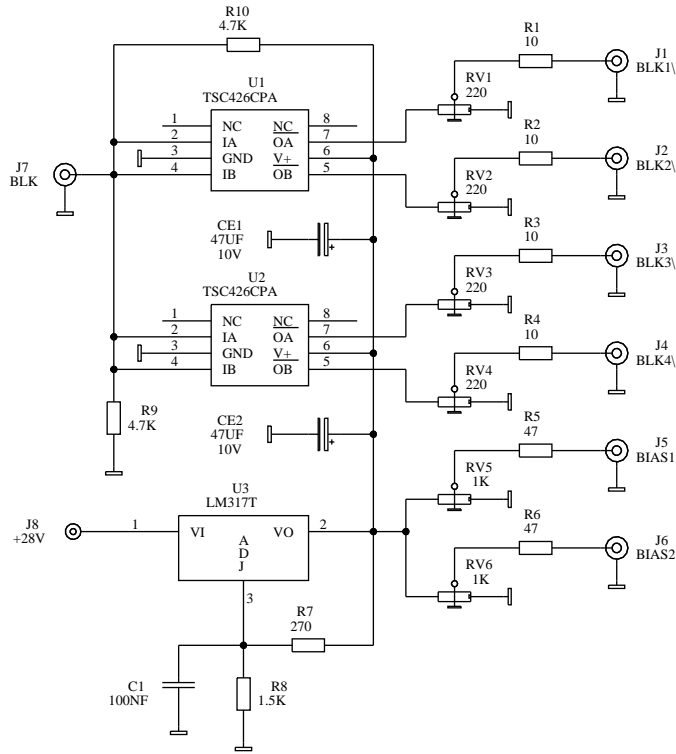


Figure 2.15. Inverted blanking




| | | | | |
|-------------------|--------|------------------------------|------------|---|
| ART: W1301912 | EC: 01 | DRAWN: DW DATE: 13/09/93 | VISA: | S.a.d.i.s  SPECTROSPIN |
| INVERTED BLANKING | | APPROV: CO DATE: 13/09/93 | VISA: | |
| | | DWG: W4S131507 | SHEET: 1/1 | |

Figure 2.16. Inverted blanking layout

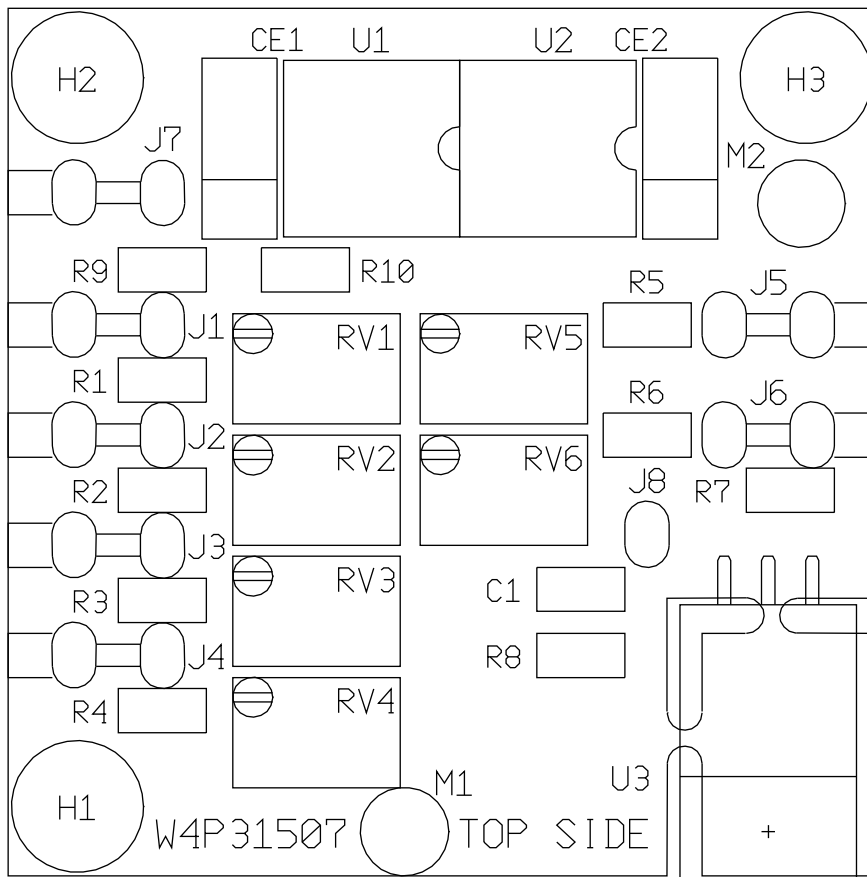
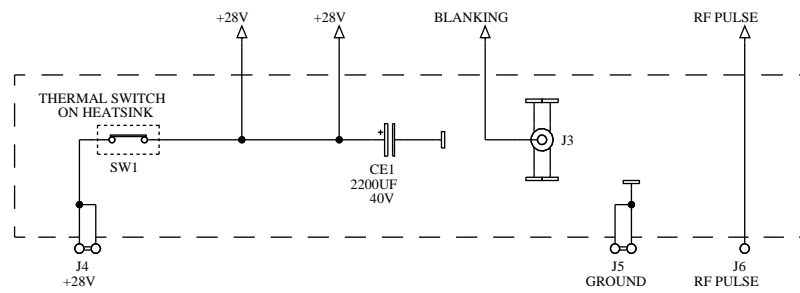


Figure 2.17. BLMX100 interconnecting board



NOTE:

SW1 = 32294 : THERMOCLIPS 70° C


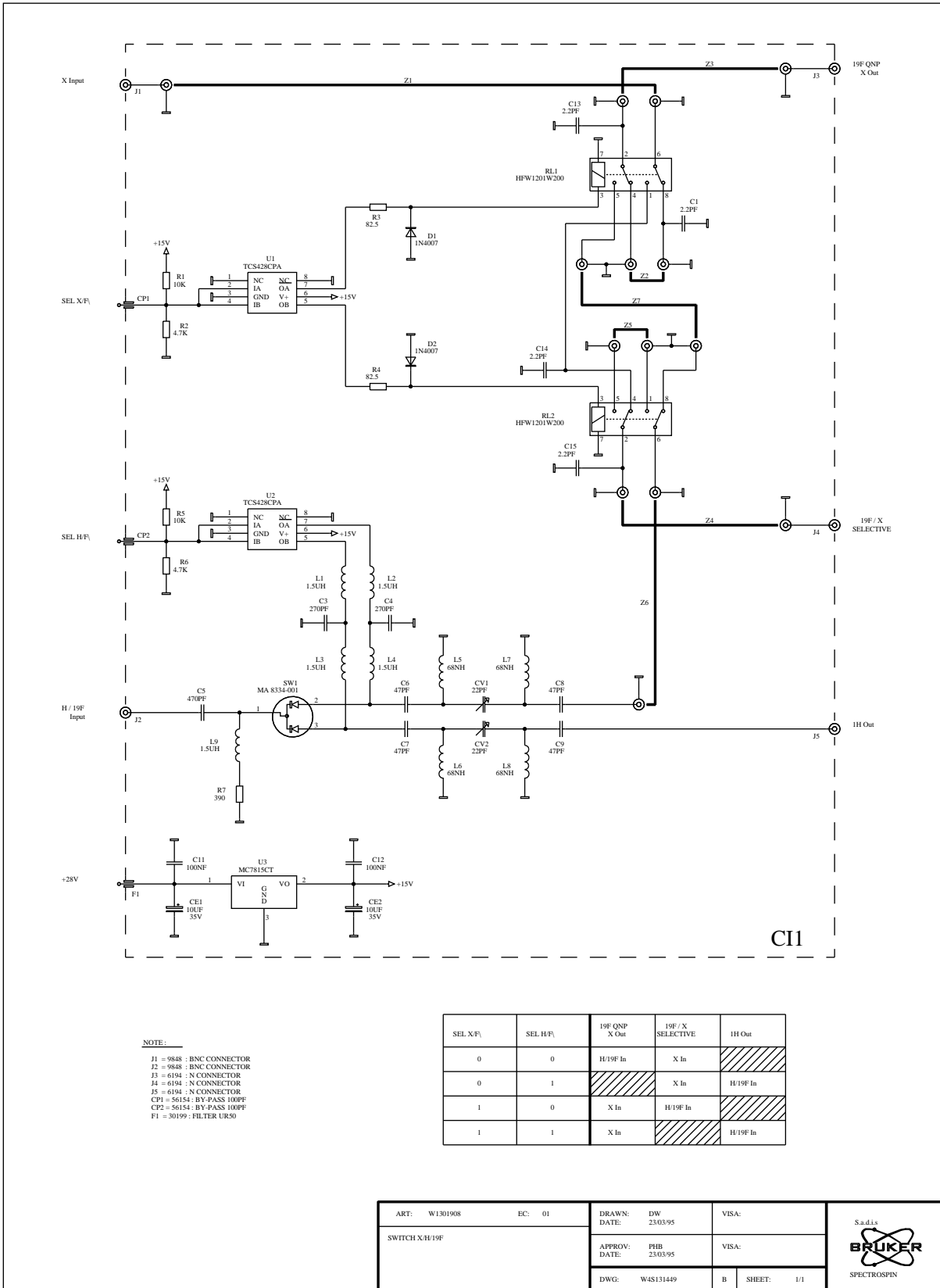
| | | | | |
|-----------------------|--------|----------------|------------|---|
| ART: W1301925 | EC: 01 | DRAWN: DW | VISA: | S.a.d.i.s  SPECTROSPIN |
| INTERCONNECTING BOARD | | DATE: 10/02/94 | | |
| | | APPROV: CO | VISA: | |
| | | DATE: 10/02/94 | | |
| | | DWG: W4S131483 | SHEET: 1/1 | |

Figure 2.18. Switch XH19F



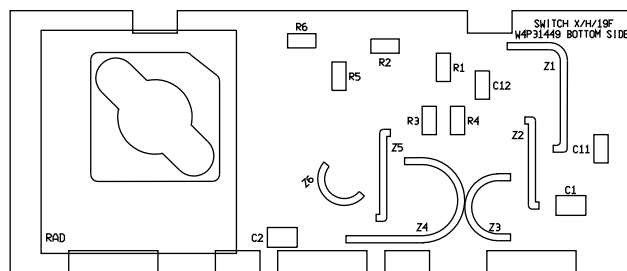
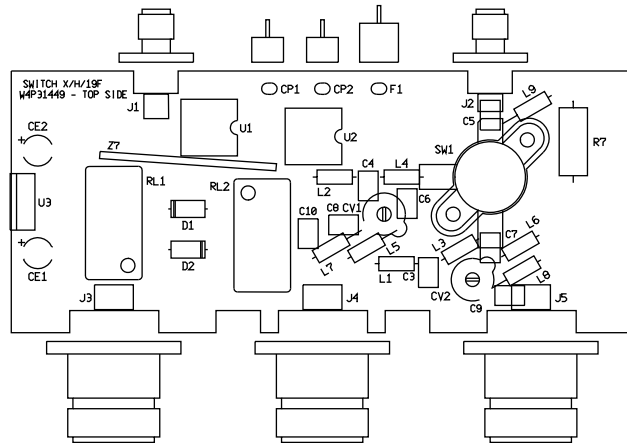
NOTE:
 J1 = 9848 : BNC CONNECTOR
 J2 = 9848 : BNC CONNECTOR
 J3 = 6194 : N CONNECTOR
 J4 = 6194 : N CONNECTOR
 J5 = 6194 : N CONNECTOR
 CP1 = 56154 : BY-PASS 100PF
 CP2 = 56154 : BY-PASS 100PF
 F1 = 30199 : FILTER UR50

| SEL X/F ₁ | SEL H/F ₁ | 19F QNP X Out | 19F / X SELECTIVE | 1H Out |
|----------------------|----------------------|---------------|-------------------|----------|
| 0 | 0 | H/19F In | X In | /// |
| 0 | 1 | /// | X In | H/19F In |
| 1 | 0 | X In | H/19F In | /// |
| 1 | 1 | X In | /// | H/19F In |

| | | | |
|----------------|--------|----------------------|--------------|
| ART: W1301908 | EC: 01 | DRAWN: DW 23/03/95 | VISA: |
| SWITCH X/H/19F | | APPROV: PHB 23/03/95 | VISA: |
| | | DWG: WAS131449 | B SHEET: 1/1 |

S.a.d.i.s
BRUKER
 SPECTROSPIN

Figure 2.19. Switch XH19F layout



Figures

| | |
|--------------------------------------|-----------|
| Contents | 1 |
| Schematics | 3 |
| BLMX20 / 200-400 Mhz | 4 |
| BLA power supply assembly 2 | 5 |
| Power supply location | 6 |
| +28 volt terminal | 7 |
| RF pulse display | 8 |
| RF pulse display layout | 9 |
| Fan assembly 2 | 10 |
| BLMH20 / 200-400 Mhz | 11 |
| LABH20 / 200-400 Mhz | 12 |
| Blanking board | 13 |
| Blanking board layout | 14 |
| BLMH20 - Interconnecting board | 15 |
| BLMX100 / 6-202 Mhz | 16 |
| LABX100 / 6-202 Mhz | 17 |
| Inverted blanking | 18 |
| Inverted blanking layout | 19 |
| BLMX100 interconnecting board | 20 |
| Switch XH19F | 21 |
| Switch XH19F layout | 22 |
| Figures | 23 |

