

**BLAXH50
200-400MHz**

**TECHNICAL
MANUAL**

Version 003

Sadis BRUKER SPECTROSPIN

The information in this manual may be altered without notice.

Sadis BRUKER SPECTROSPIN accepts no responsibility for actions taken as a result of use of this manual. Sadis BRUKER SPECTROSPIN accepts no liability for any mistakes contained in the manual, leading to coincidental damage, whether during installation or operation of the instrument. Unauthorised reproduction of manual contents, without written permission from the publishers, or translation into another language, either in full or in part, is forbidden.

This manual was written by

M.Dominique WURTZ

© February 28, 1996: Sadis BRUKER SPECTROSPIN
Wissembourg, FRANCE
P/N: W1302172

Updated for BASH 2.0 by U. Roos - December 1996

Manual P/N: Z31267
DWG-No: 980 003

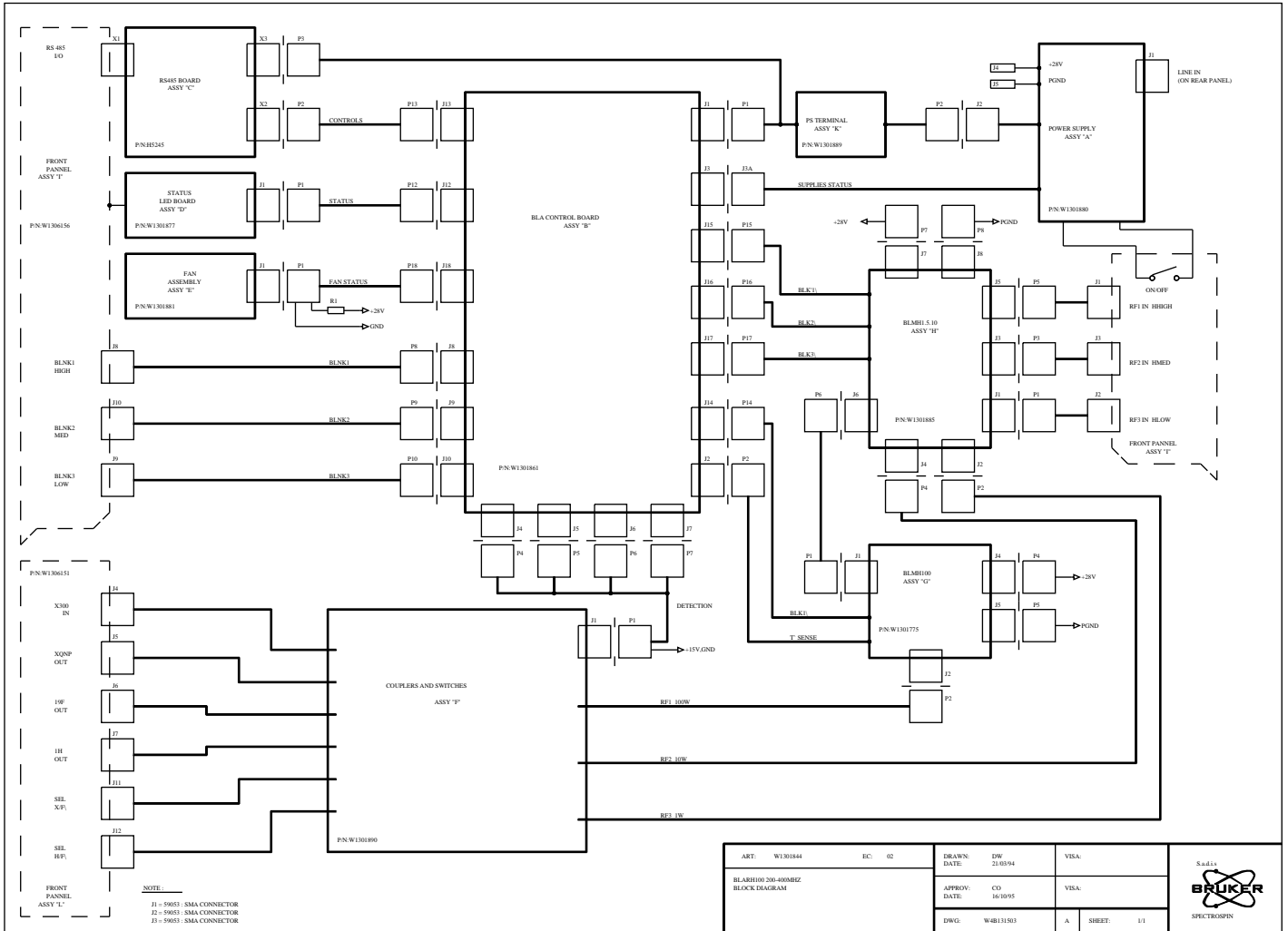
Contents

<i>Contents</i>	1
<i>Block diagram</i>	3
<i>Power supply</i>	5
<i>Control board 2</i>	11
<i>Status board</i>	29
<i>Fan assembly</i>	33
<i>BLMH0.5/50</i>	37
<i>BLMX100 amplifier module</i>	47
<i>Couplers, switches</i>	55
<i>SBS controller</i>	63
<i>Figures</i>	71

Block diagram

1

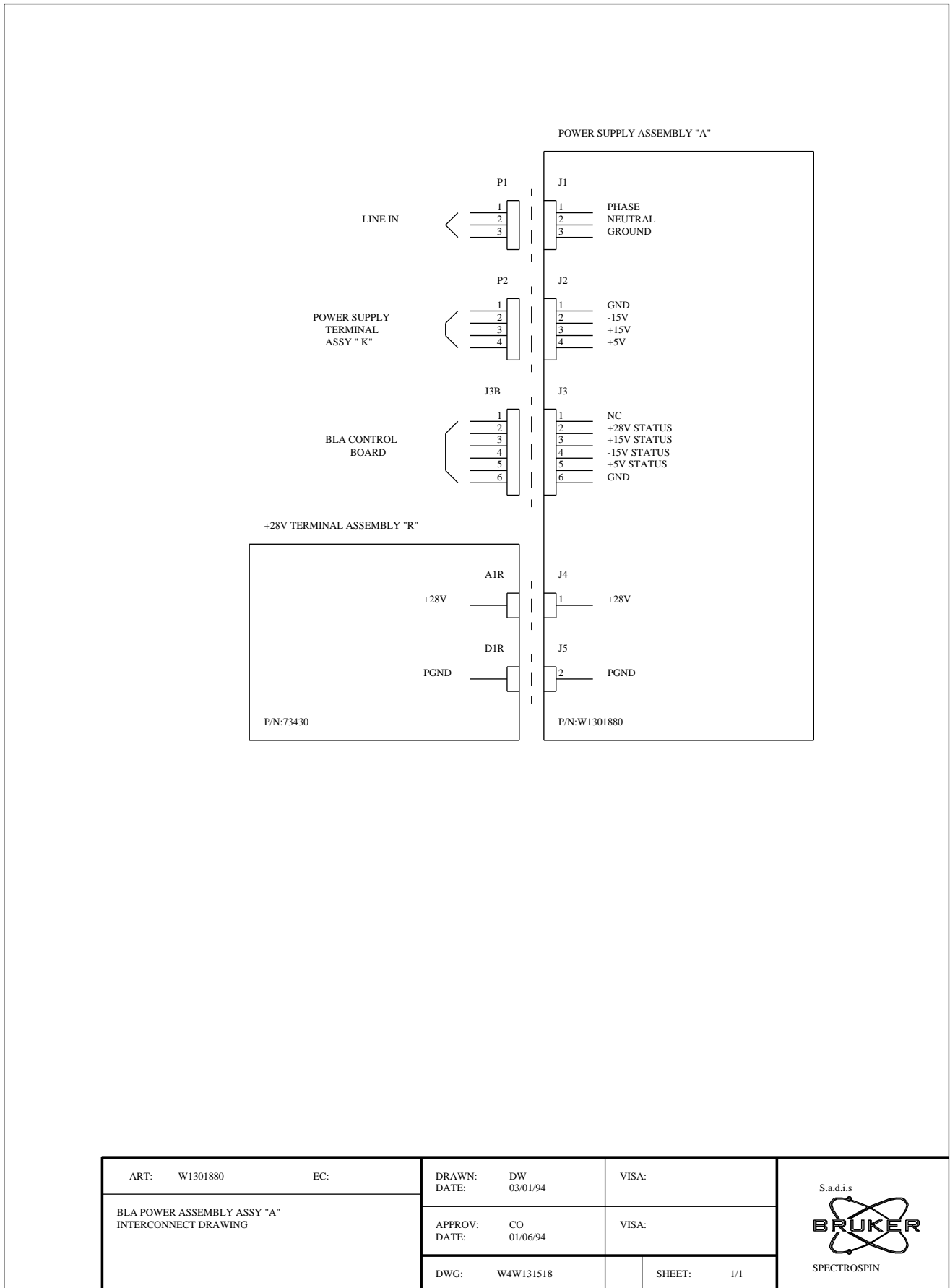
Figure 1.1. Block diagram



Power supply

2

Figure 2.1. Wiring diagram



ART: W1301880	EC:	DRAWN: DW	DATE: 03/01/94	VISA:
BLA POWER ASSEMBLY ASSY "A" INTERCONNECT DRAWING		APPROV: CO	DATE: 01/06/94	VISA:
		DWG: W4W131518		SHEET: 1/1


S.a.d.i.s

 SPECTROSPIN

Figure 2.2. Power supply diagram

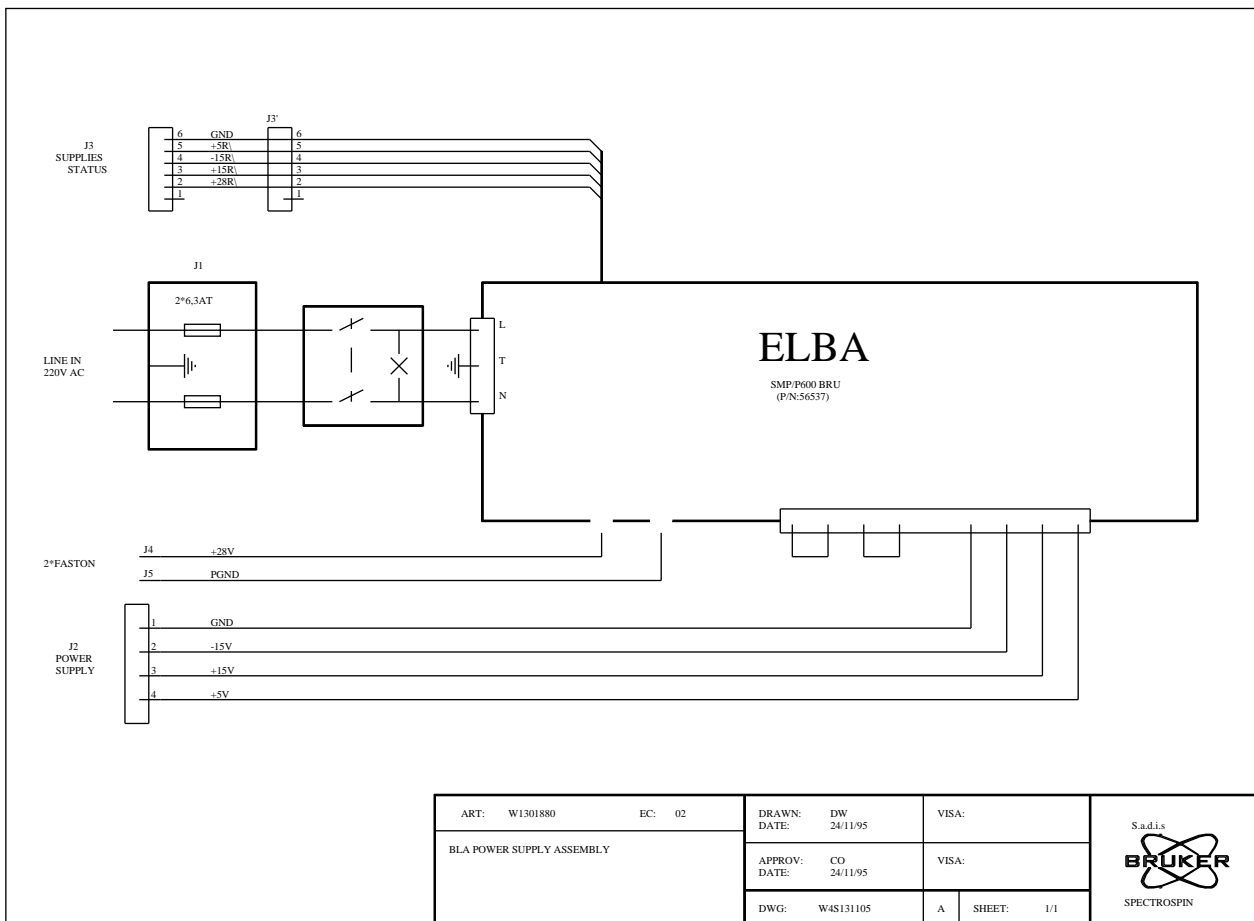


Figure 2.3. Power supply terminal

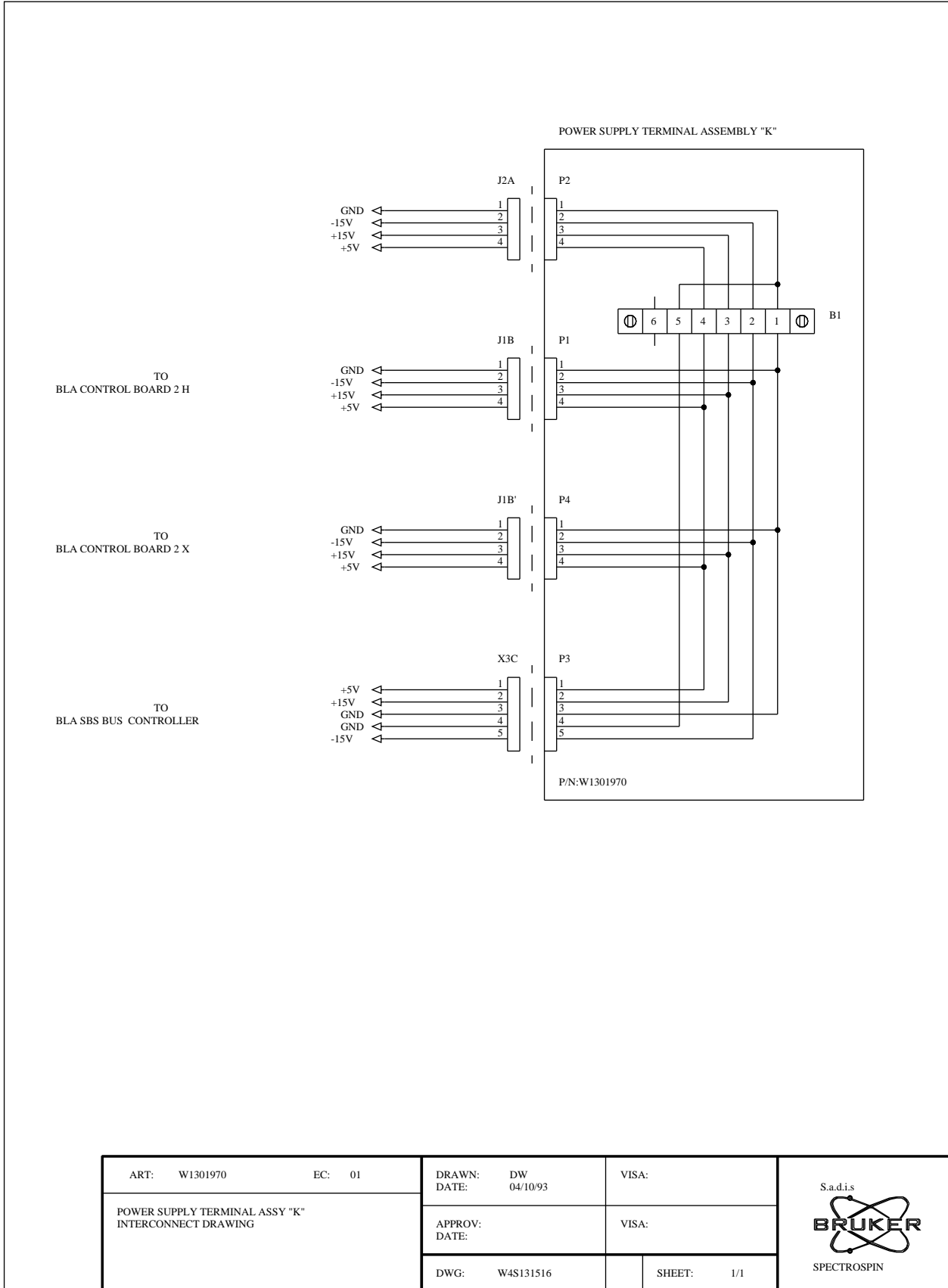
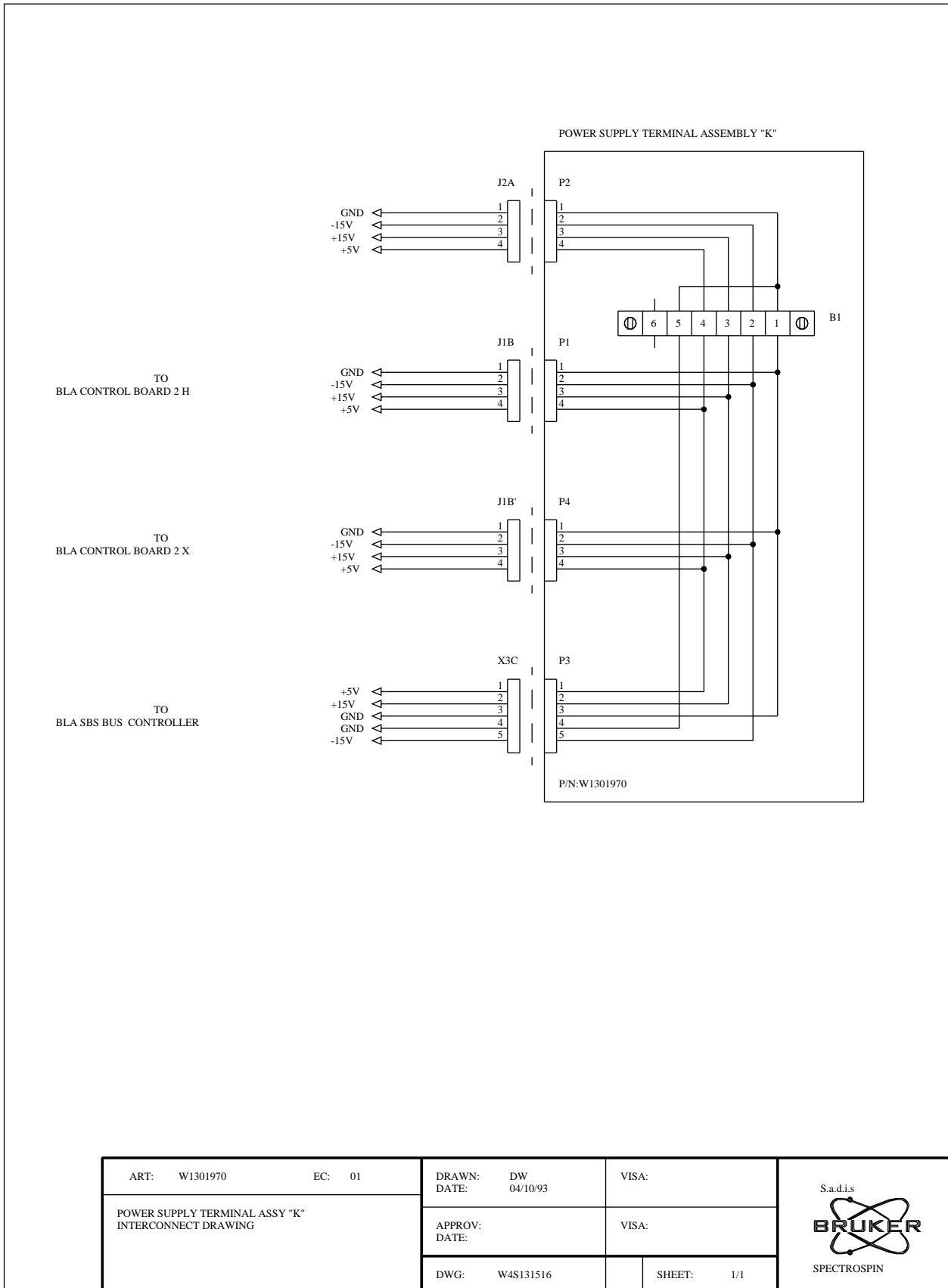


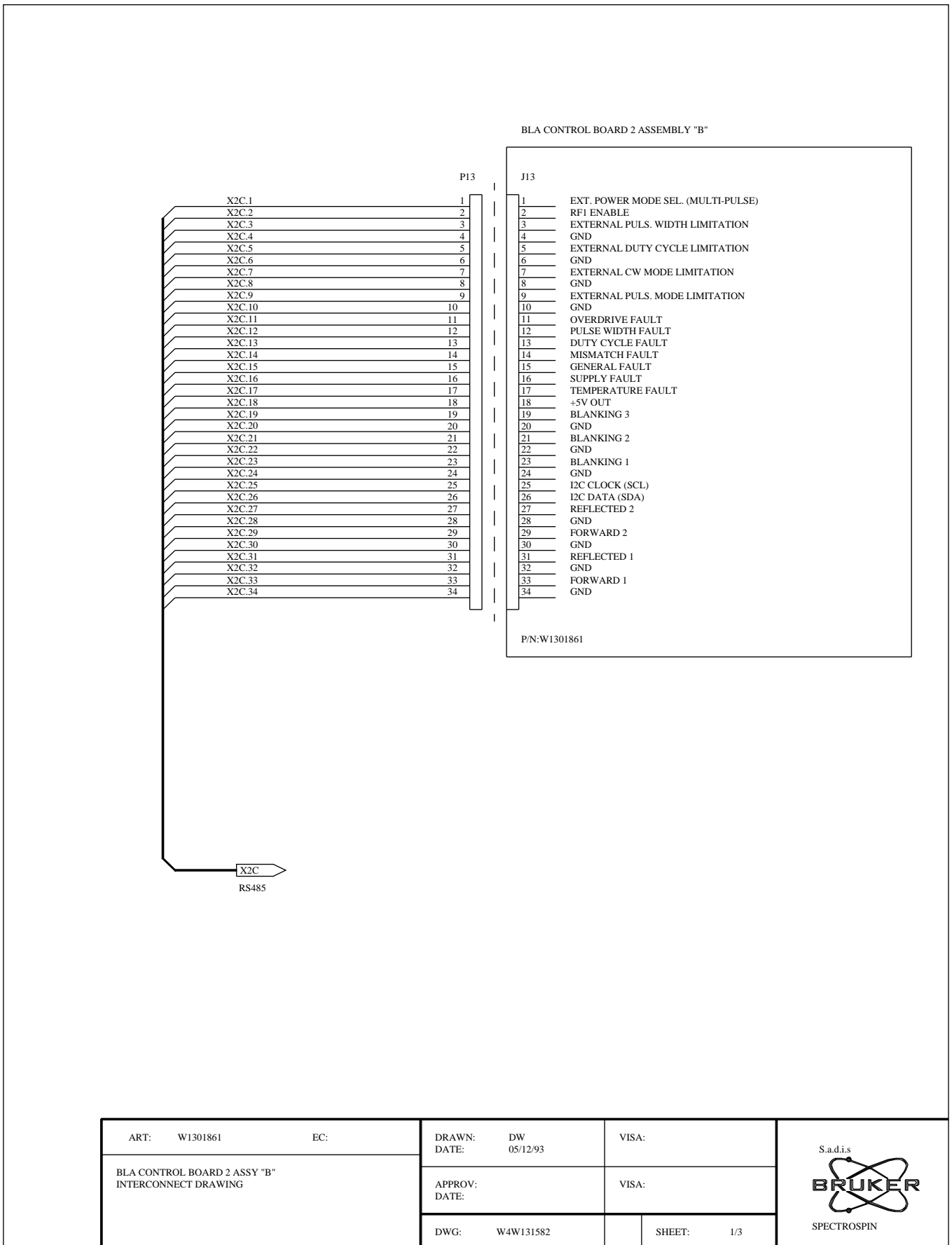
Figure 2.4. Power supply terminal



Control board 2

3

Figure 3.1. Interconnect drawing sheet 1/3

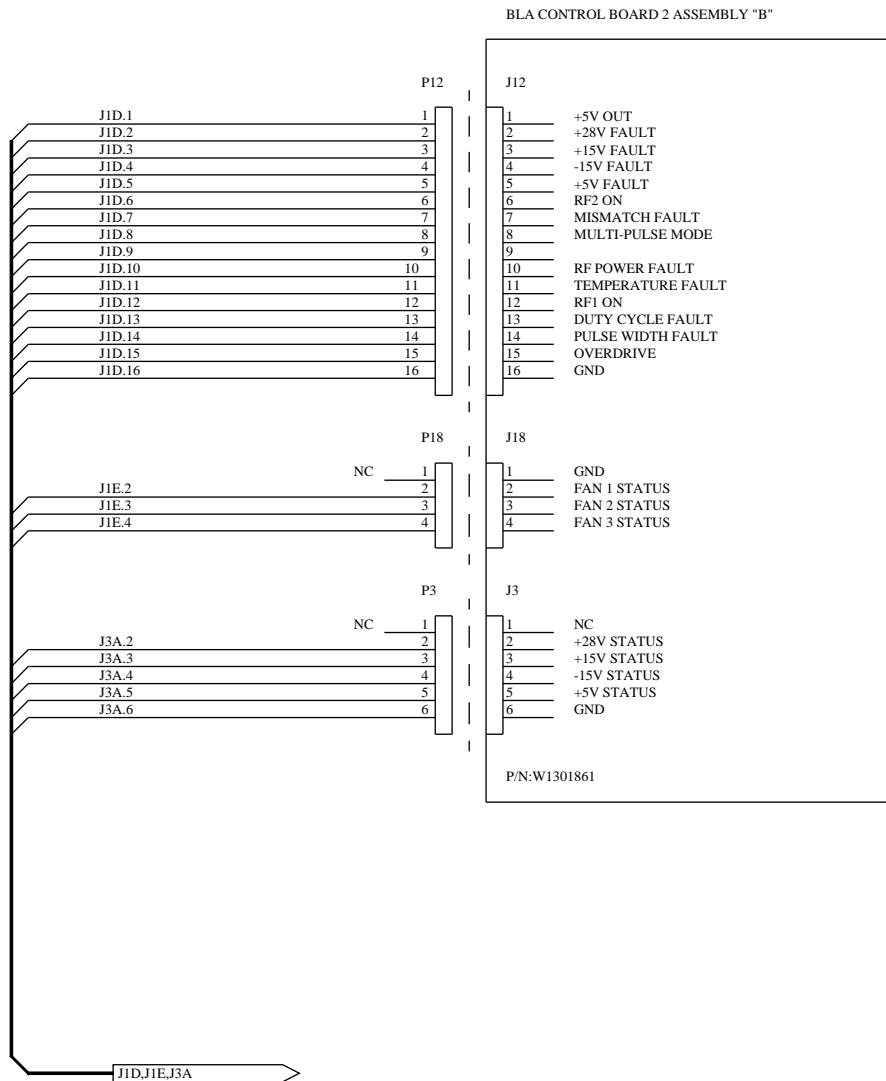


ART: W1301861	EC:	DRAWN: DW	VISA:
		DATE: 05/12/93	
BLA CONTROL BOARD 2 ASSY "B" INTERCONNECT DRAWING		APPROV:	VISA:
		DATE:	
DWG: W4W131582		SHEET: 1/3	

S.a.d.i.s


SPECTROSPIN

Figure 3.2. Interconnect drawing sheet 2/3



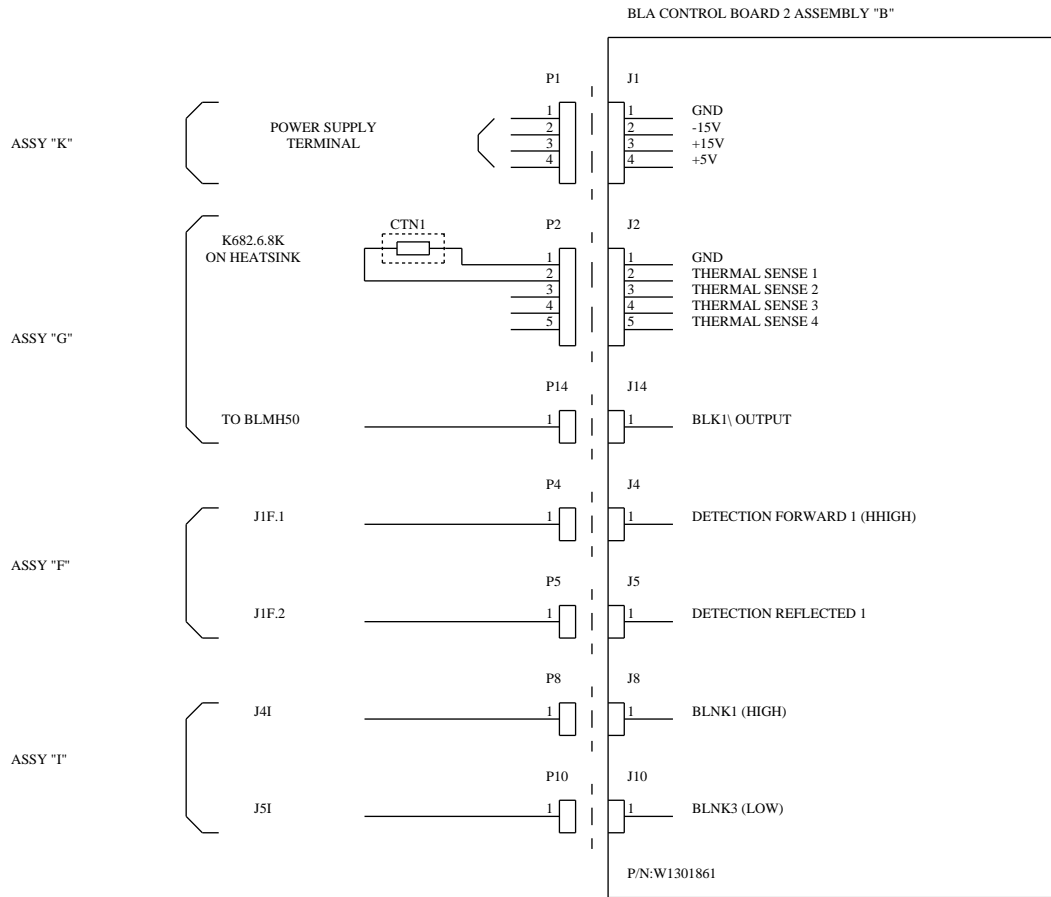
ART: W1301861	EC:	DRAWN: DW	DATE: 05/12/93	VISA:
BLA CONTROL BOARD 2 ASSY "B" INTERCONNECT DRAWING		APPROV:	DATE:	VISA:
		DWG: W4W131583		SHEET: 2/3

S.a.d.i.s



SPECTROSPIN

Figure 3.3. Interconnect drawing sheet 3/3




ART: W1301861	EC:	DRAWN: DW	VISA:	S.a.d.i.s  SPECTROSPIN
BLA CONTROL BOARD 2 ASSY "B" INTERCONNECT DRAWING		DATE: 29/10/93	VISA:	
		APPROV: DATE:	VISA:	
		DWG: W4W131522	SHEET: 3/3	

Figure 3.4. Control board top side

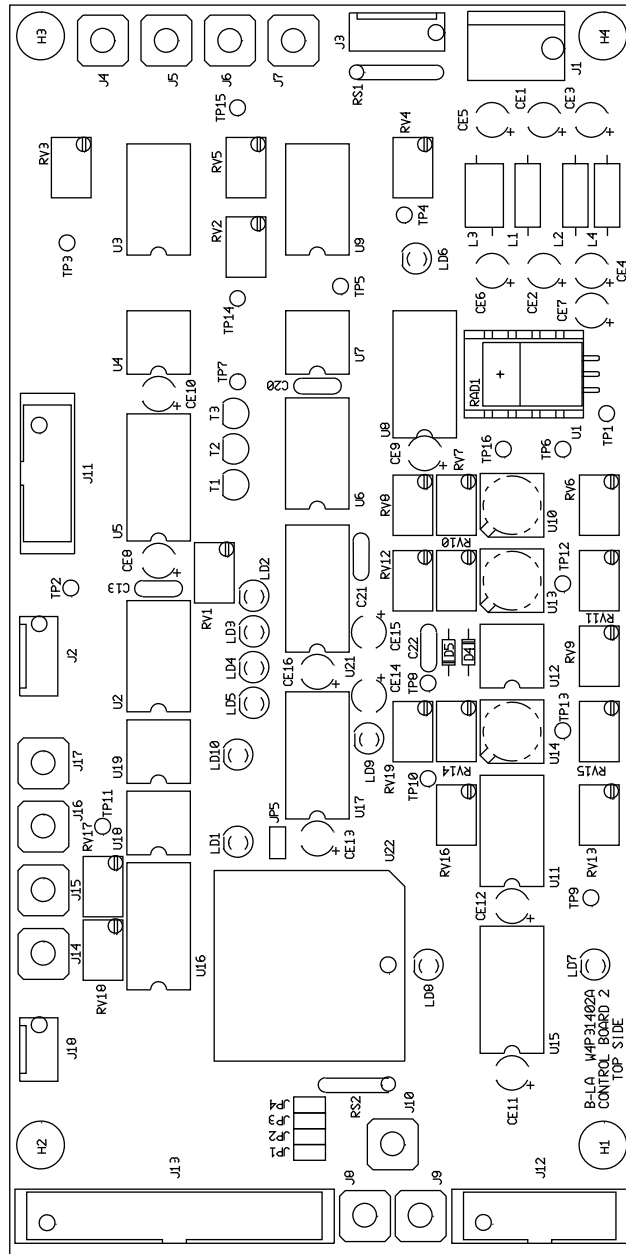


Figure 3.6. Control board 1/7 - power supply & reference

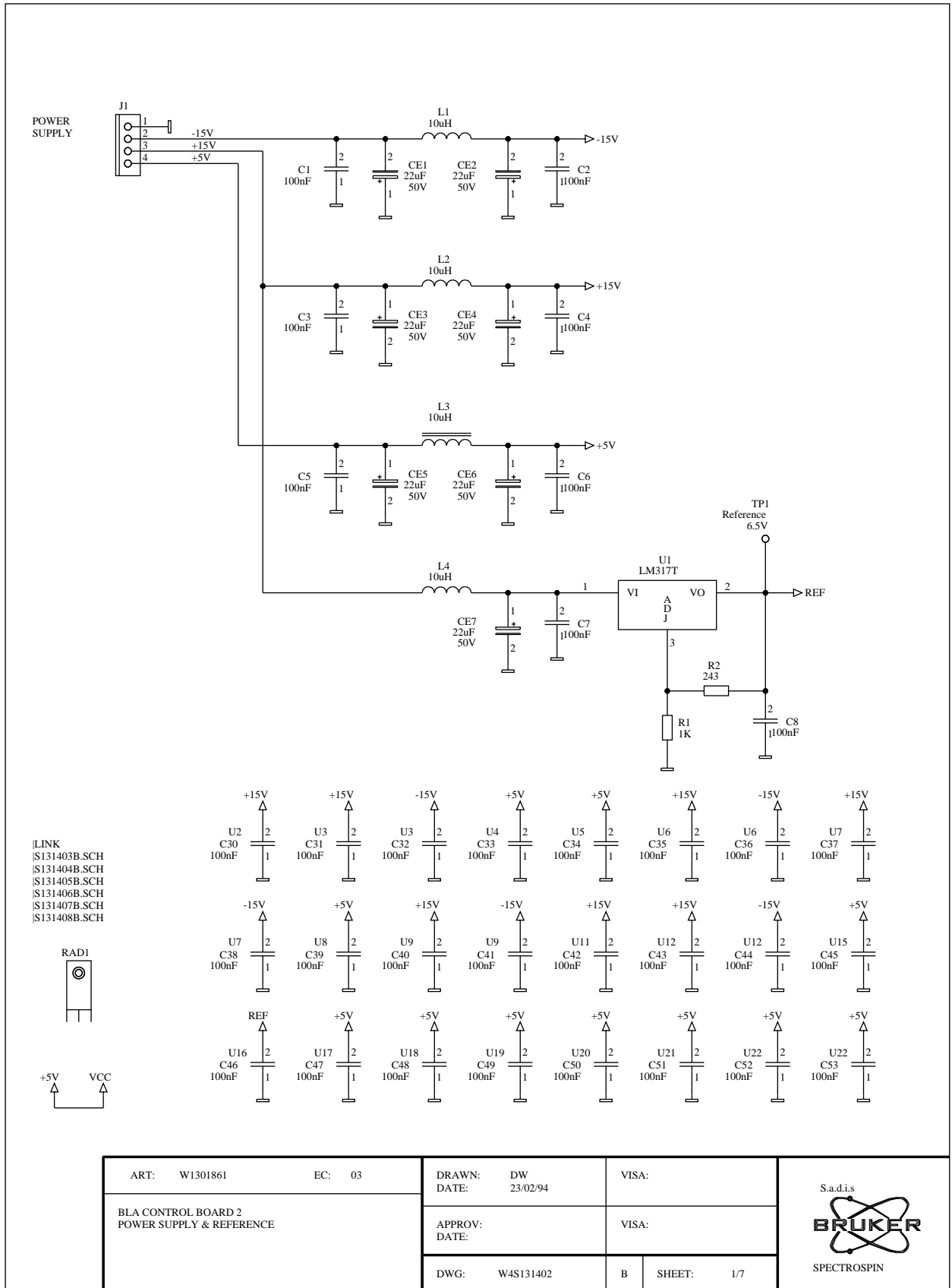


Figure 3.7. Control board 2/7 - Thermal sense, supply & fan control

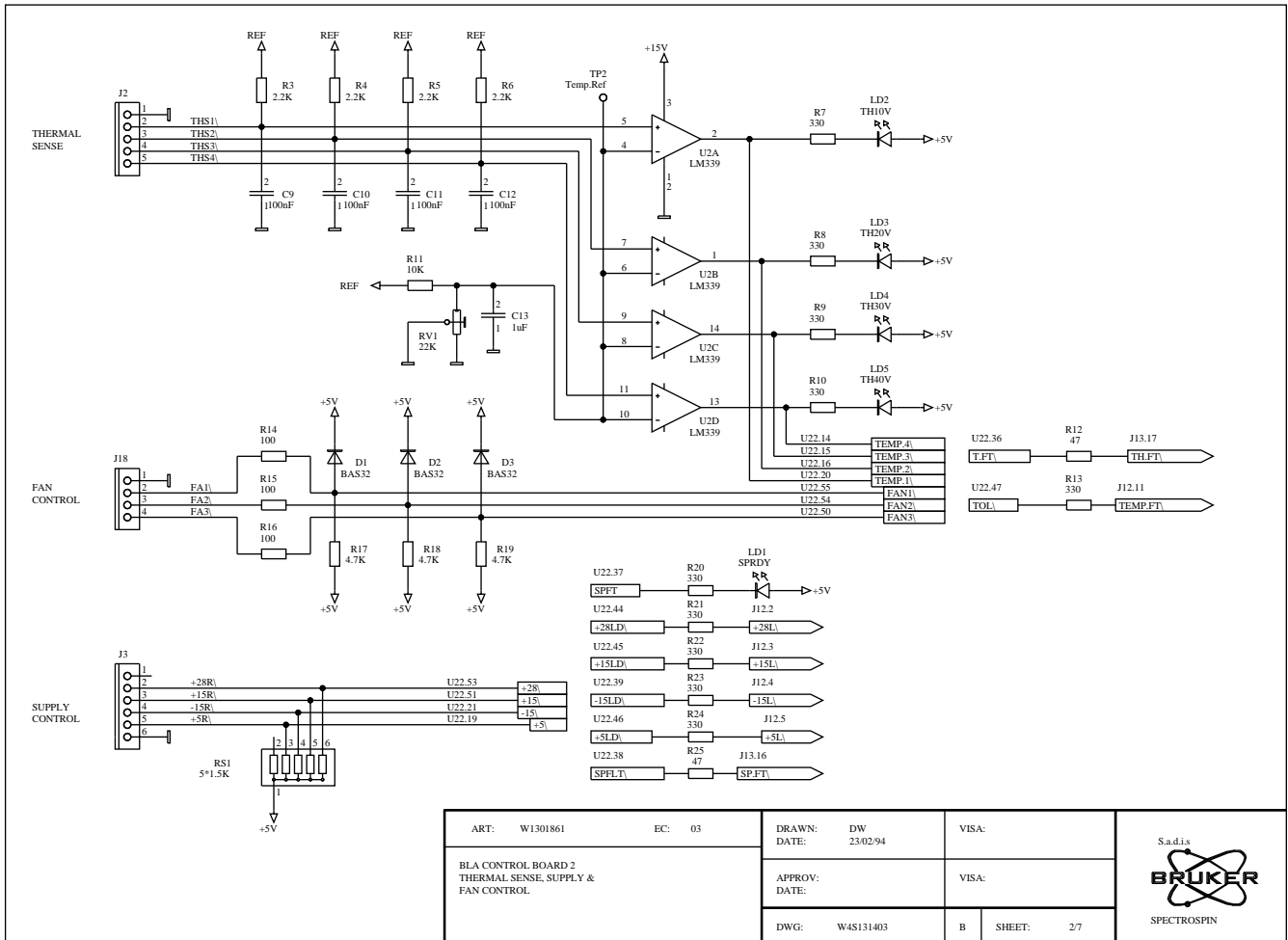


Figure 3.8. Control board 3/7 - Forward & reflected

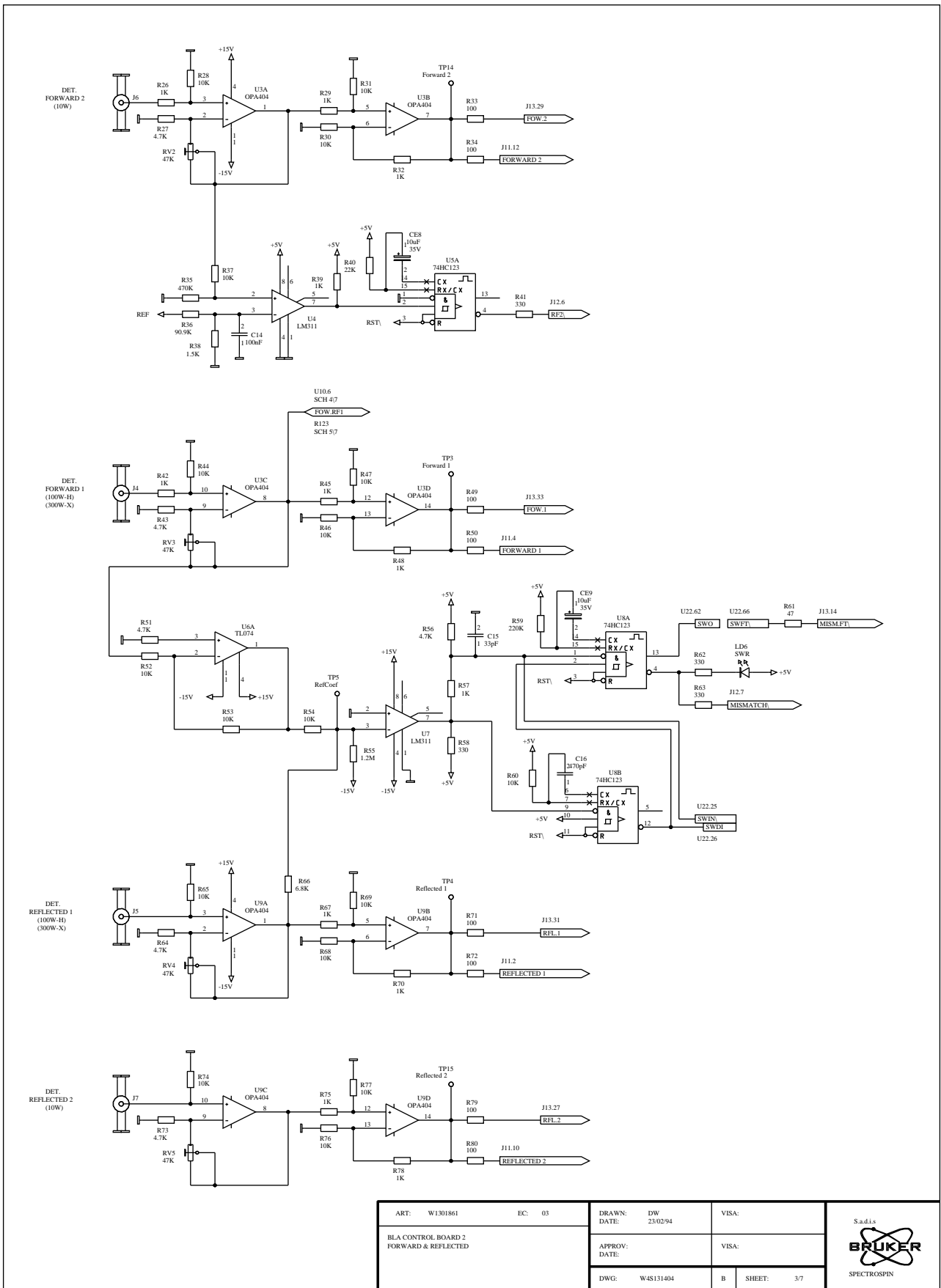


Figure 3.9. Control board 4/7 - Duty cycle & pulse width limiter

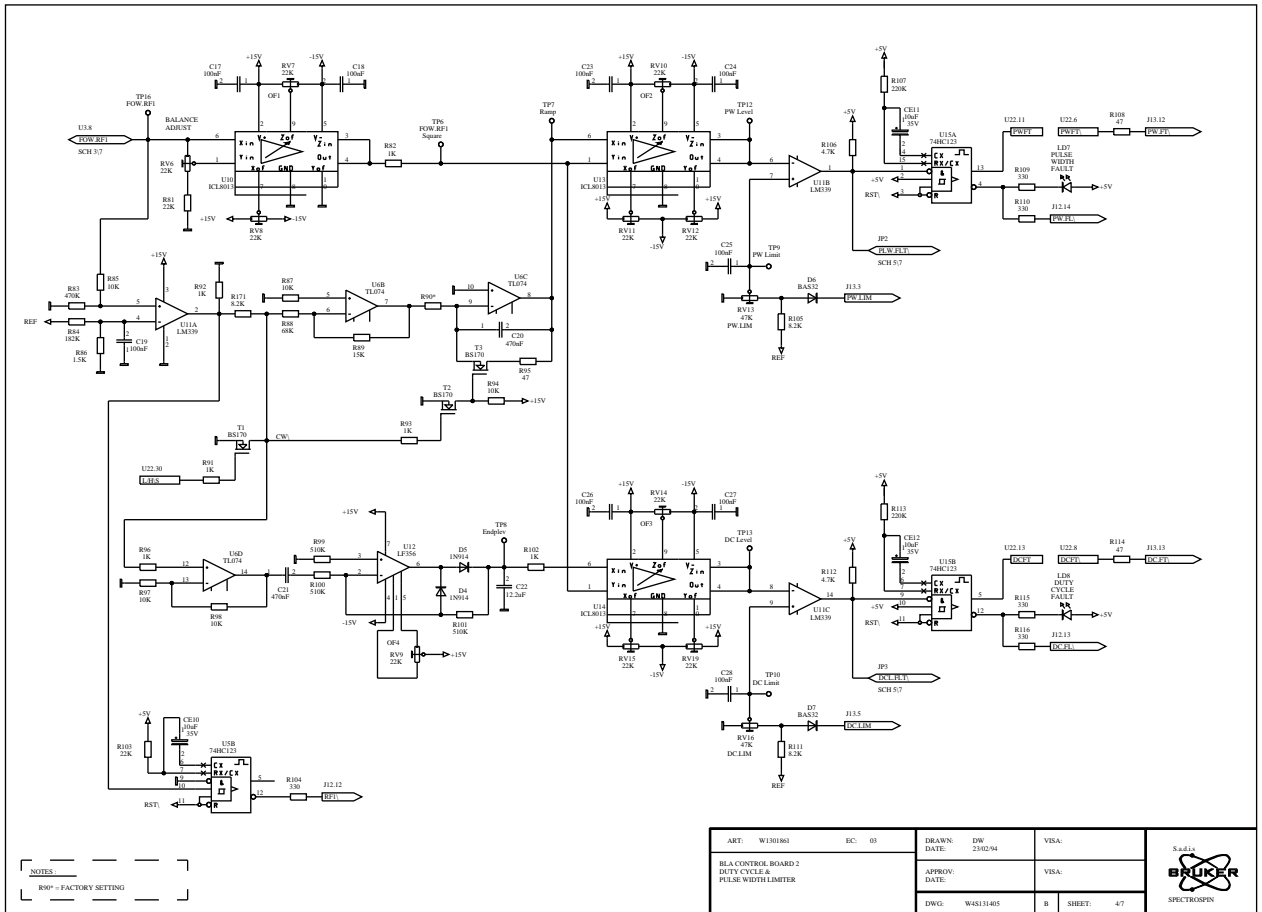


Figure 3.10. Control board 5/7 - Power limitation

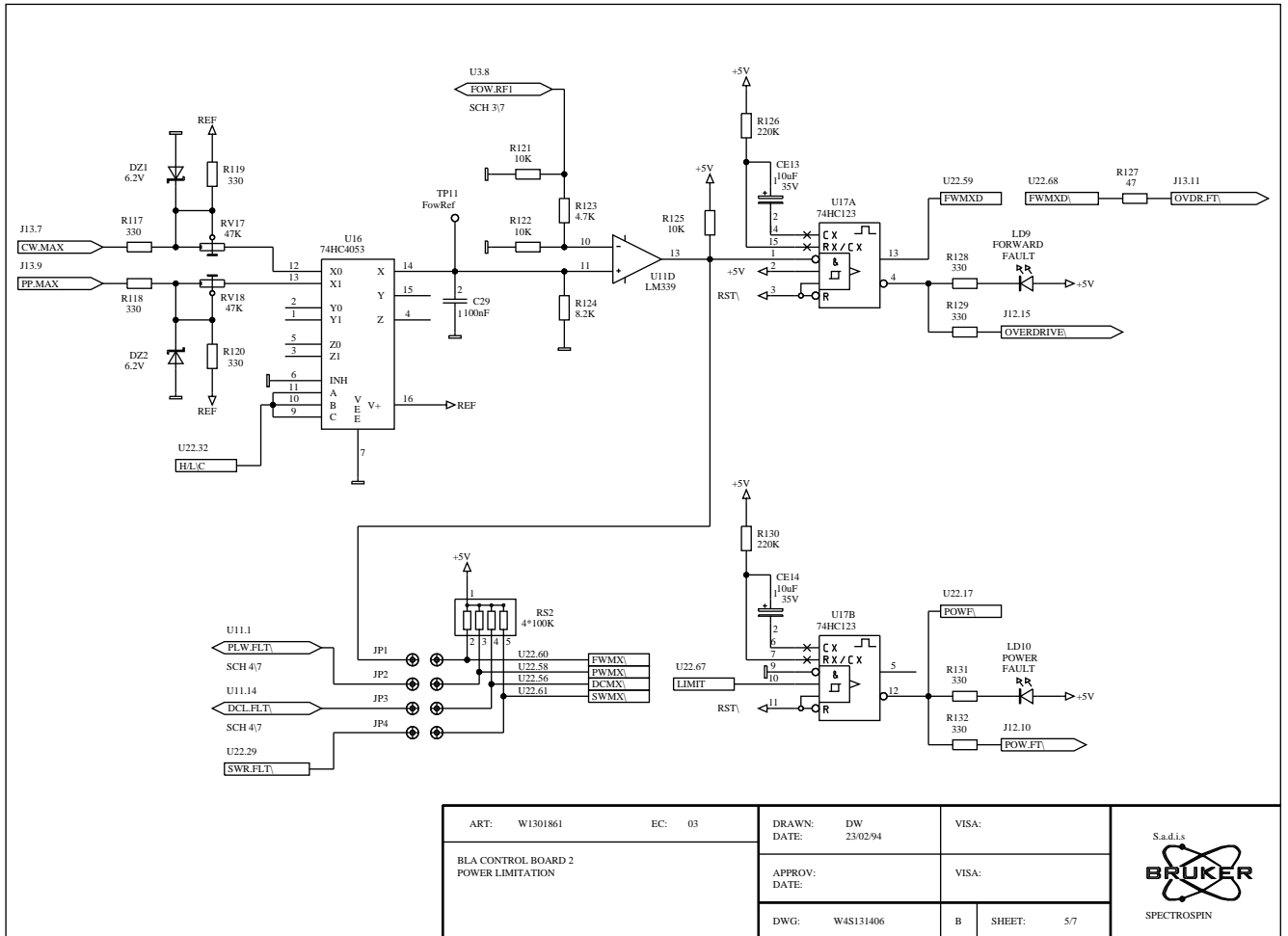


Figure 3.11. Control board 6/7 - Blanking circuit

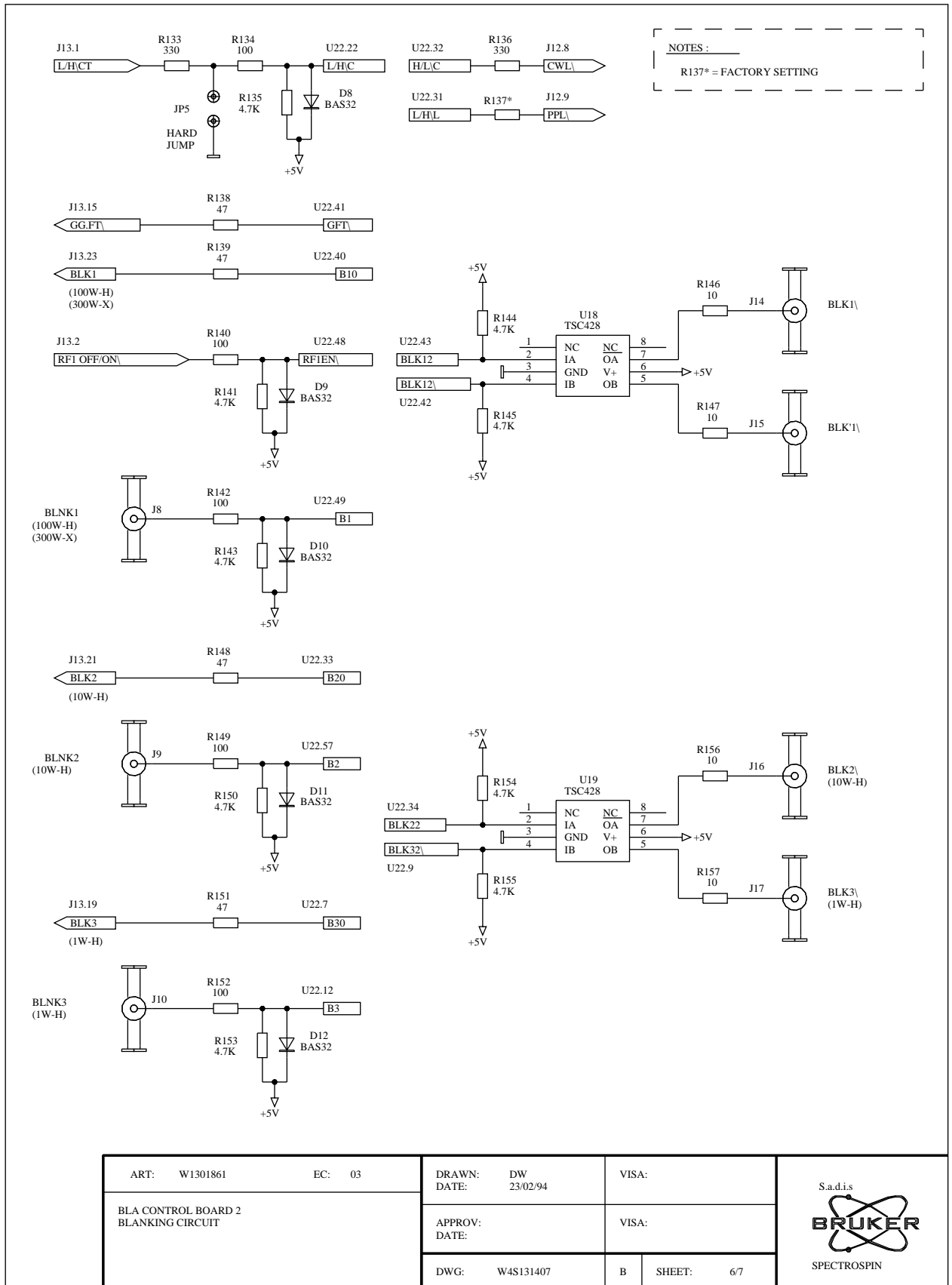


Figure 3.12. Control board 7/7 - Interconnection & pal

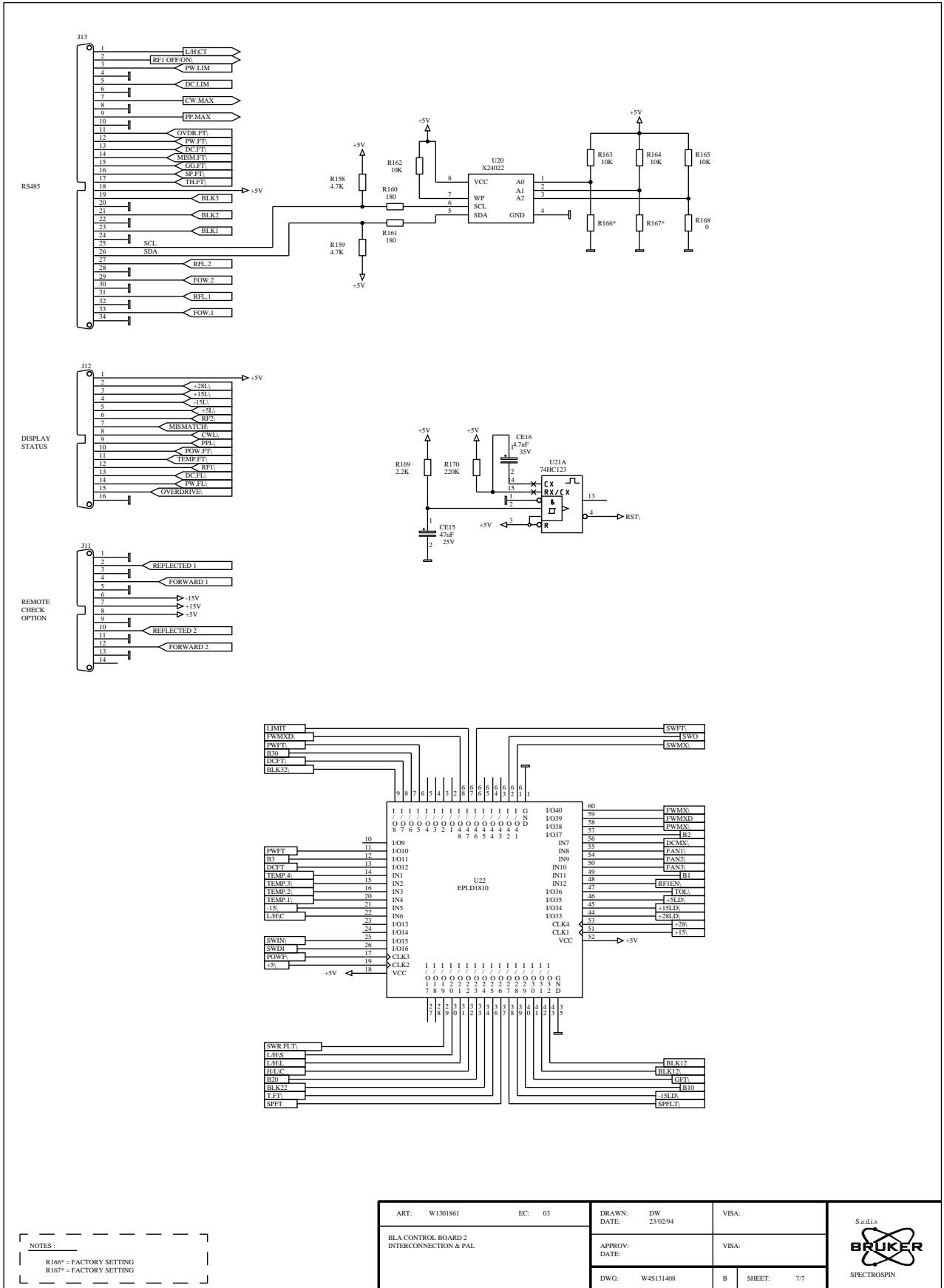
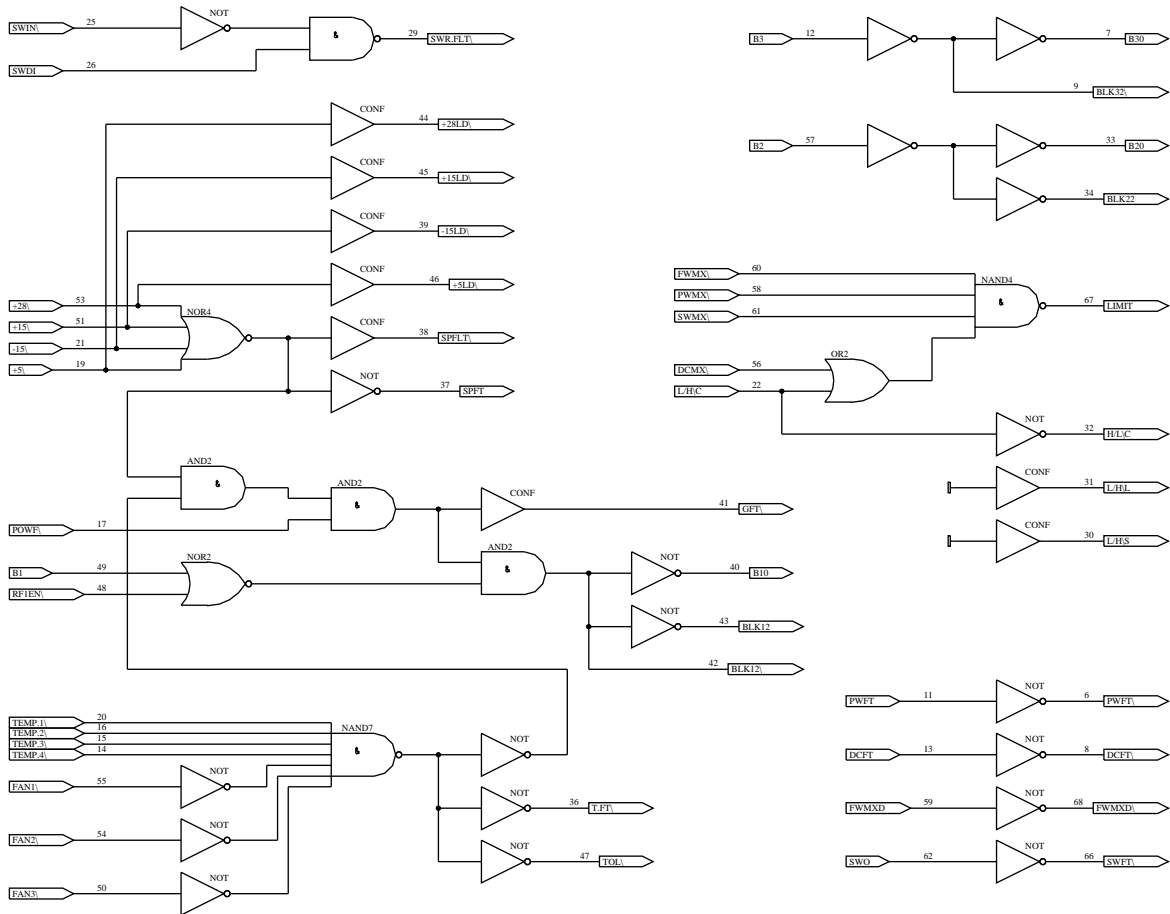
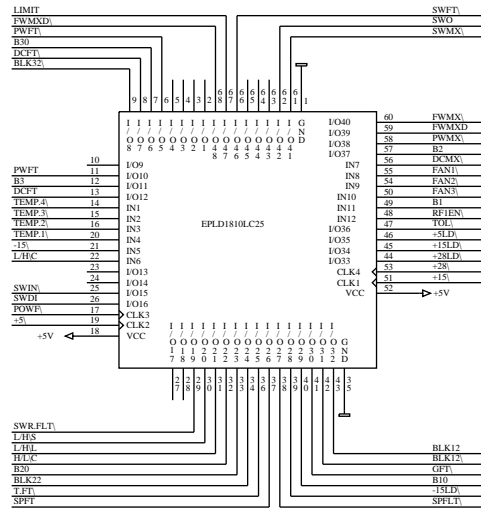


Figure 3.13. Pal interconnection

BLA02/01
02/11/93




ART: W135653	EC: 02	DRAWN: DW	VISA:	 S.a.d.i.s SPECTROSPIN
BLA02/01 PAL INTERCONNECTION		DATE: 02/11/93	VISA:	
		APPROV: DW	VISA:	
		DATE: W4D131693	A SHEET: 1/1	

Figure 3.14. Wiring diagram

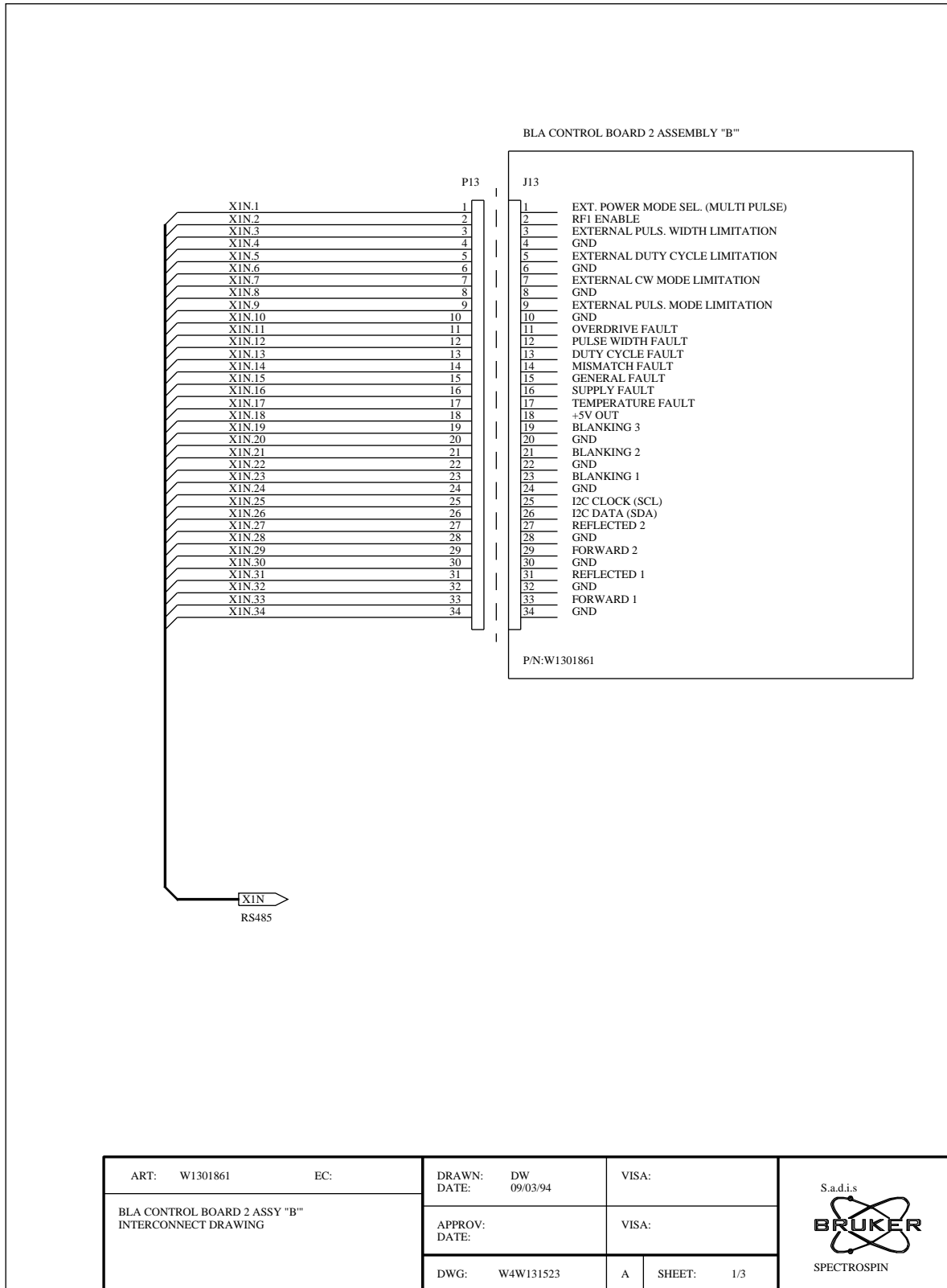


Figure 3.15. Wiring diagram

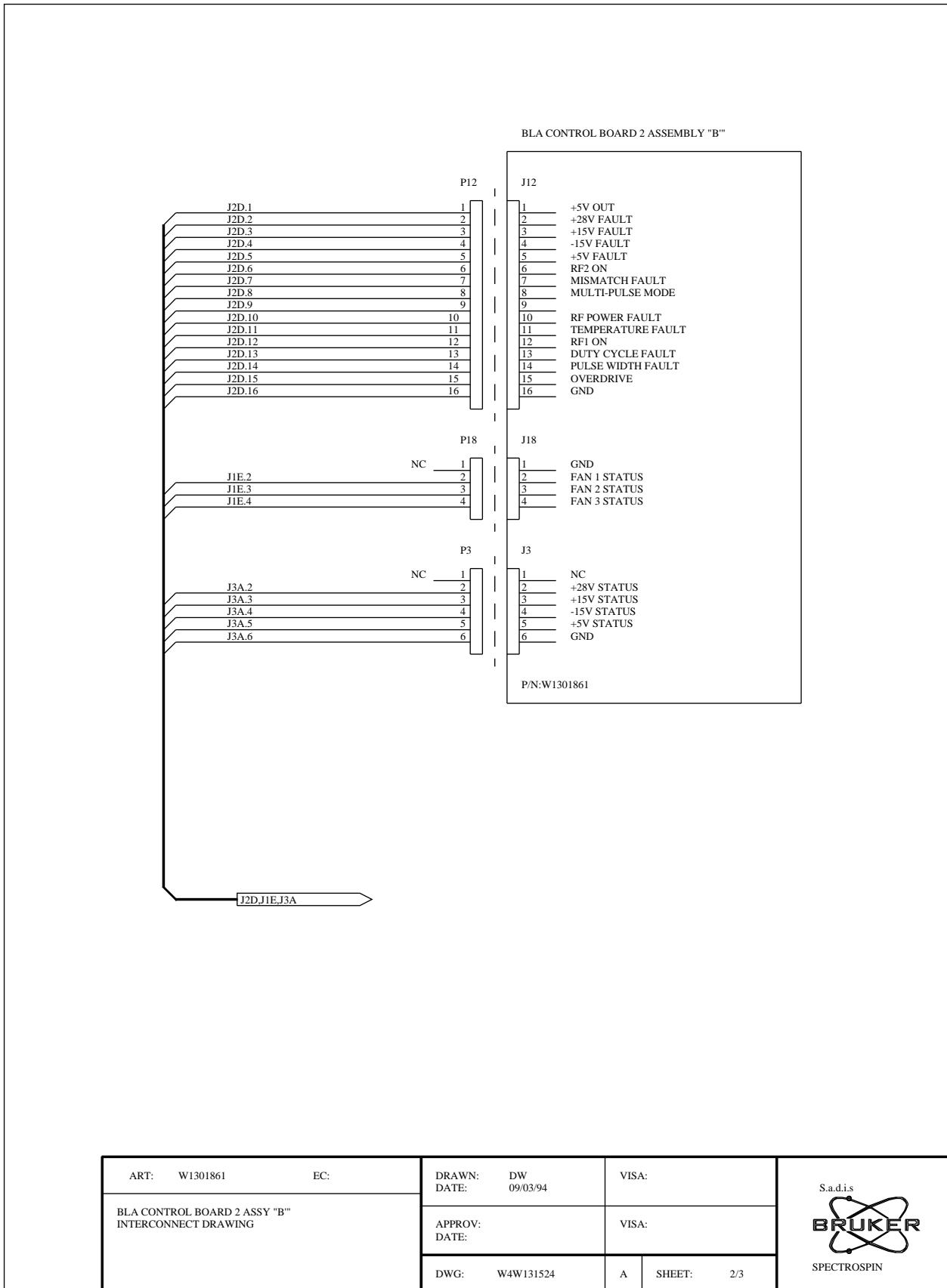
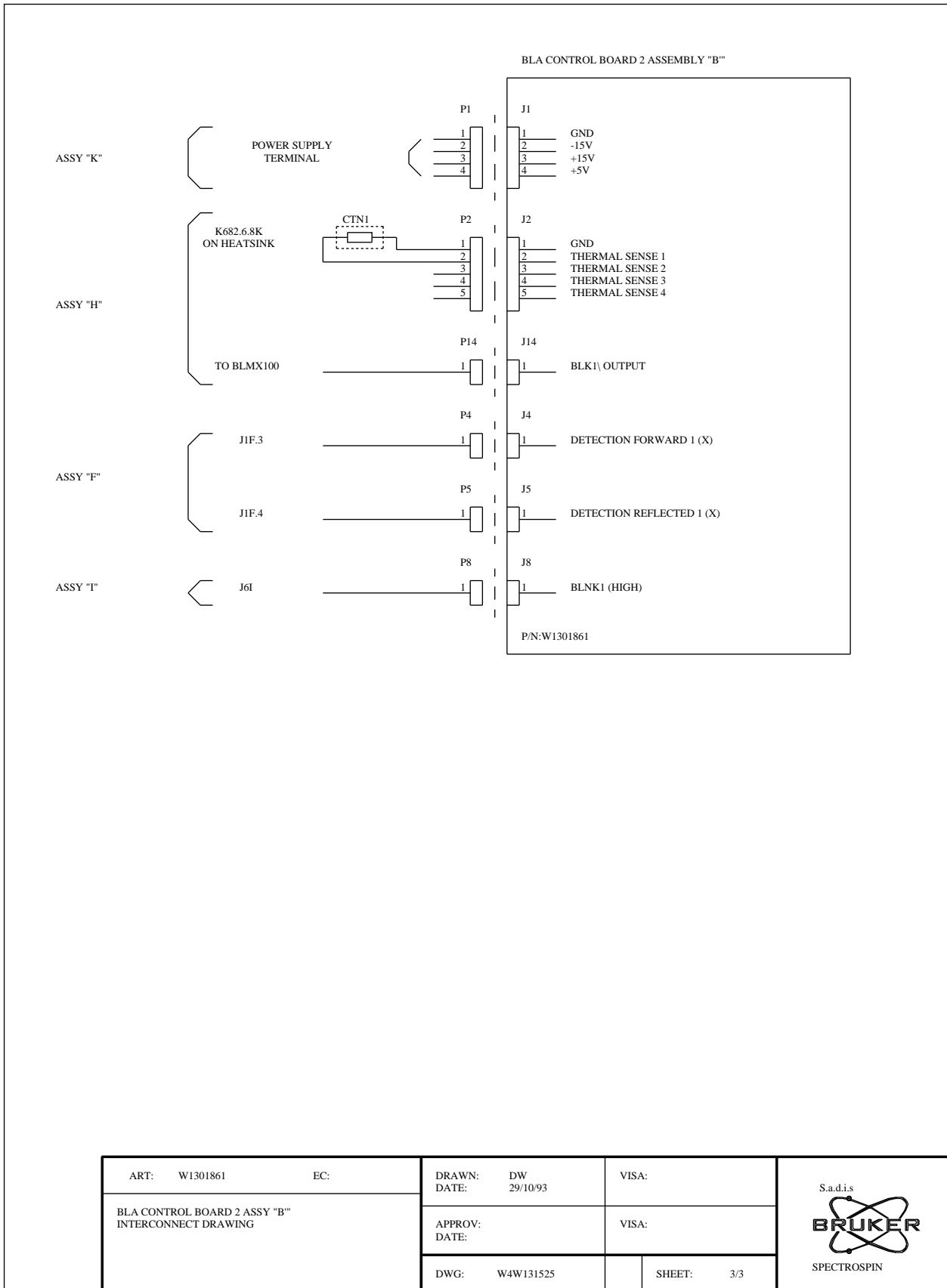


Figure 3.16. Wiring diagram



Status board

4

Figure 4.17. Interconnect drawing

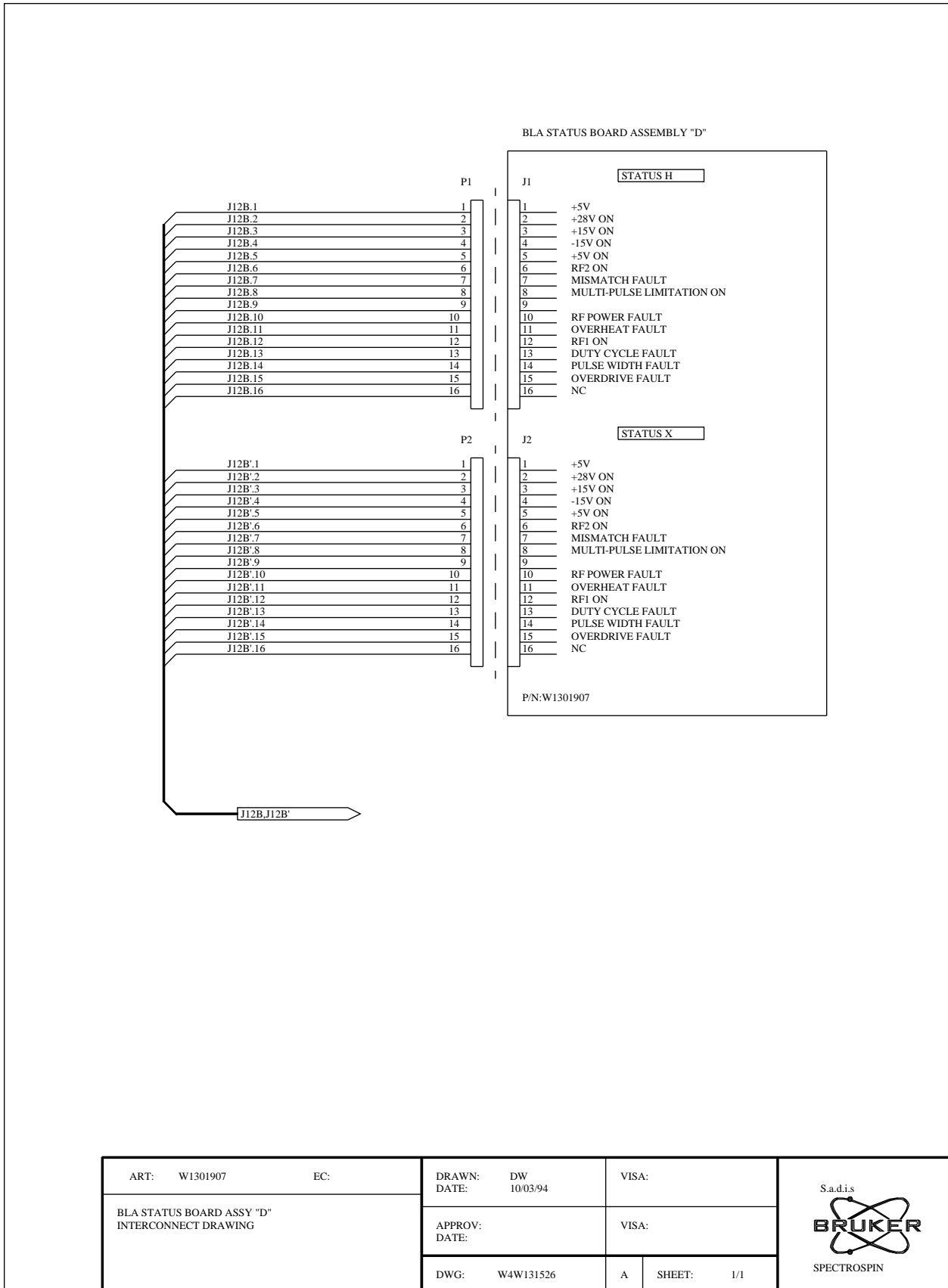
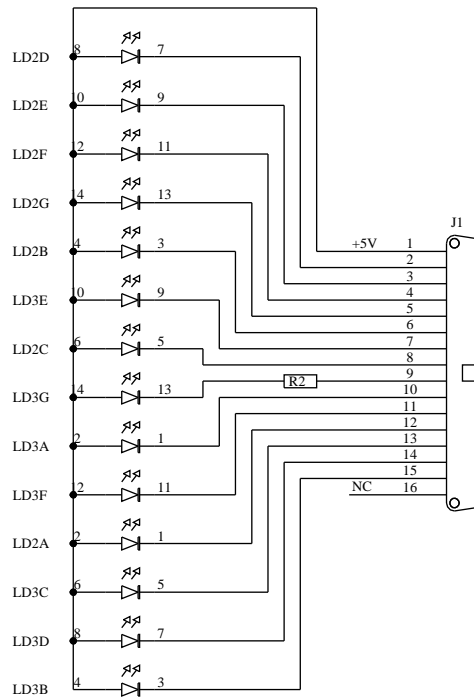
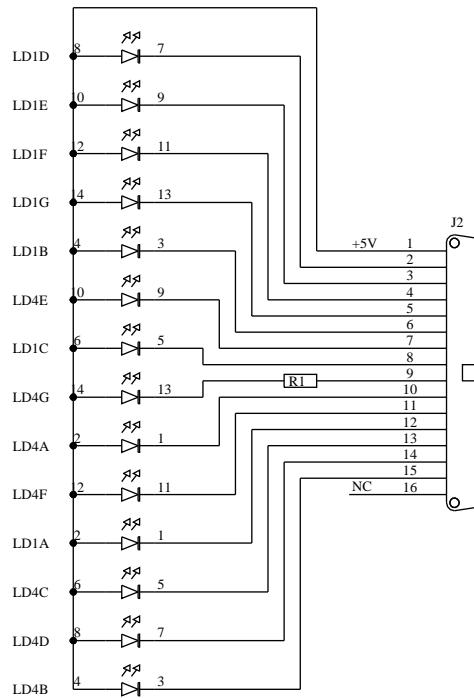


Figure 4.18. Status led board




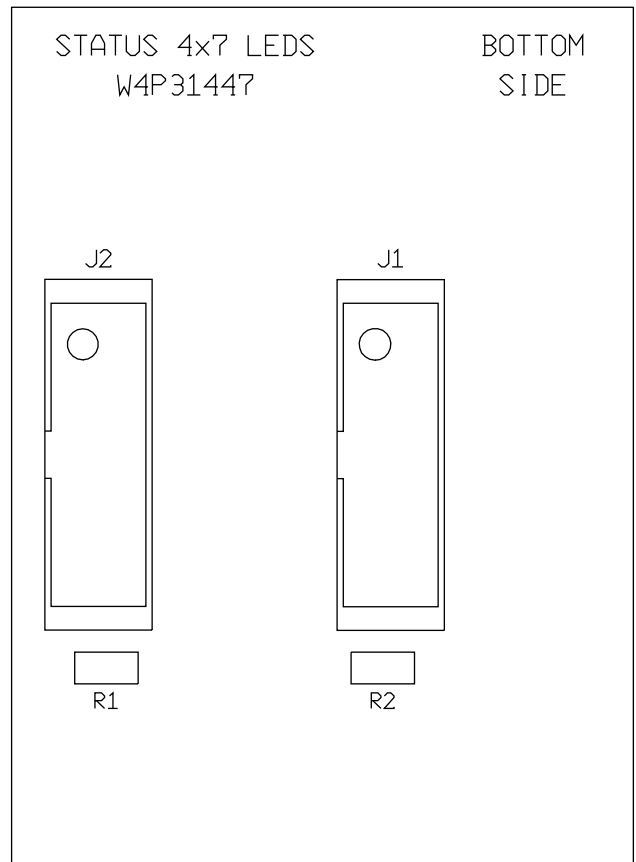
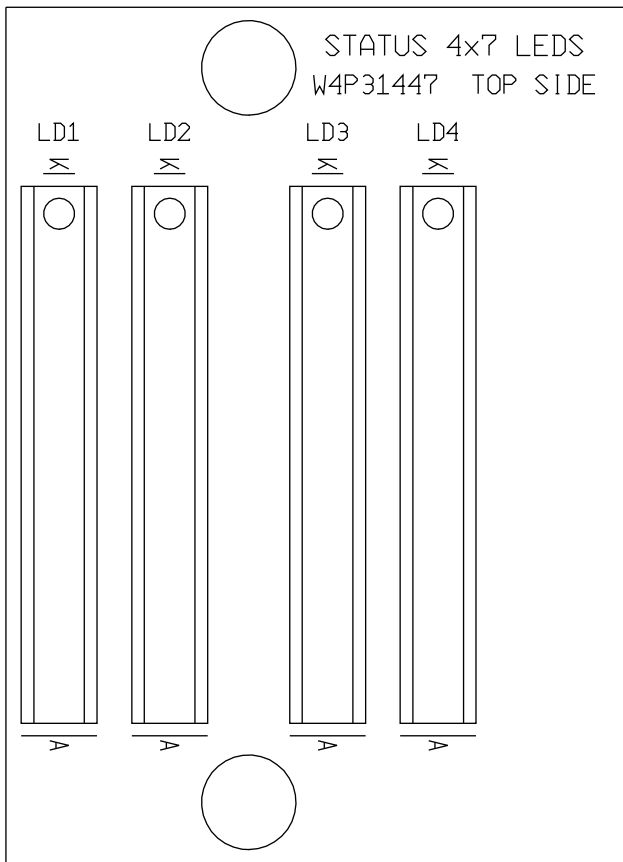
ART: W1301907	EC: 01	DRAWN: DW	VISA:	S.a.d.i.s  SPECTROSPIN
STATUS LED BOARD 4*7 LED		DATE: 18/06/93	VISA:	
		APPROV: DATE:	VISA:	
		DWG: W4S131447	SHEET: 1/1	

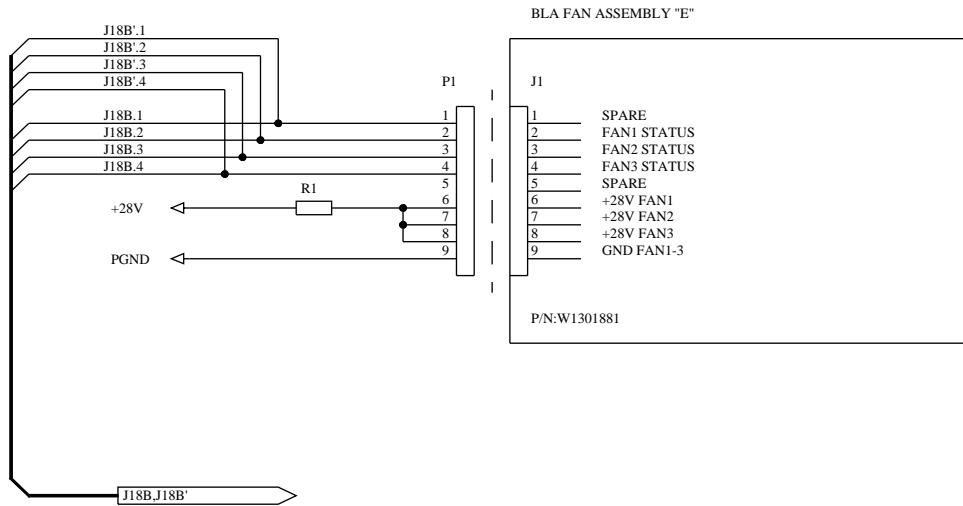
Figure 4.19. Status led board - location



Fan assembly

5

Figure 5.1. Interconnect drawing




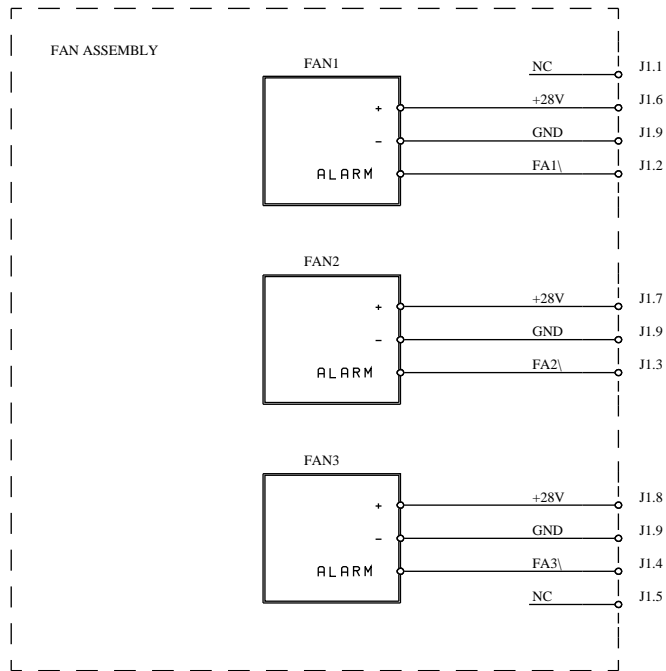

ART: W1301881	EC:	DRAWN: DW	VISA:	S.a.d.i.s  SPECTROSPIN
BLA FAN ASSEMBLY ASSY "E" INTERCONNECT DRAWING		DATE: 10/03/94		
		APPROV: DATE:	VISA:	
DWG: W4W131527	A	SHEET: 1/1		

Figure 5.2. Fan assembly

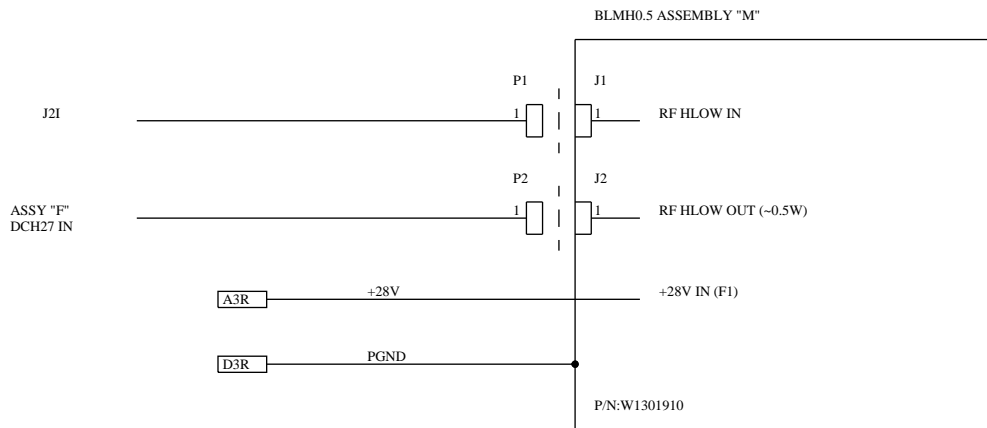


ART: W1301881	EC: 01	DRAWN: DW	VISA:	S.a.d.i.s  SPECTROSPIN
FAN ASSEMBLY		DATE: 05/05/93	VISA:	
		APPROV: DATE:	VISA:	
		DWG: W4S131424	SHEET: 1/1	

BLMH0.5/50

6

Figure 6.1. BLMH0.5 assy "M"




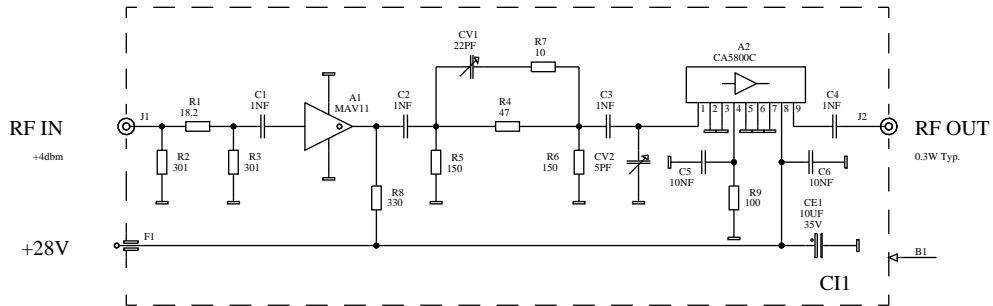
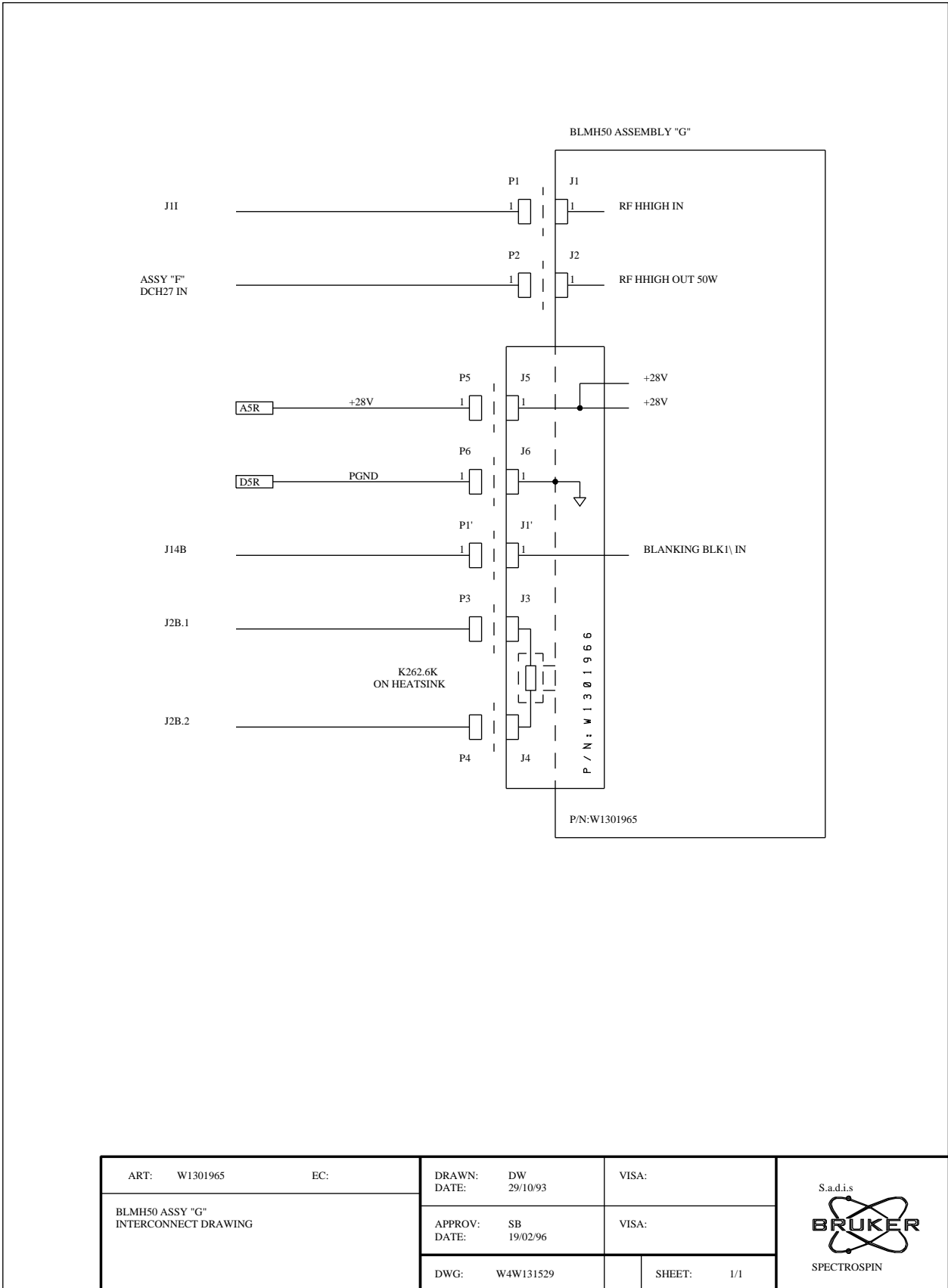
ART: W1301910	EC:	DRAWN: DW	VISA:	S.a.d.i.s  SPECTROSPIN
BLMH0.5 ASSY "M" INTERCONNECT DRAWING		DATE: 29/10/93	VISA:	
		APPROV: DATE:		
		DWG: W4W131528	SHEET: 1/1	

Figure 6.2. BLMH0.5



ART: W1301910	EC: 01	DRAWN: DW	VISA:	
BLMH0.5 AMPLIFIER 180-640MHZ 5W LINEAR / 21 db		DATE: 01/09/93	VISA:	
		APPROV: DATE:	VISA:	
		DWG: W48131438	SHEET: 1/1	

Figure 6.3. BLMH50 assy "G"



ART: W1301965	EC:	DRAWN: DW	VISA:	
BLMH50 ASSY "G" INTERCONNECT DRAWING		DATE: 29/10/93	VISA:	
		APPROV: SB	VISA:	
		DATE: 19/02/96		
		DWG: W4W131529	SHEET: 1/1	

Figure 6.4. BLMH50

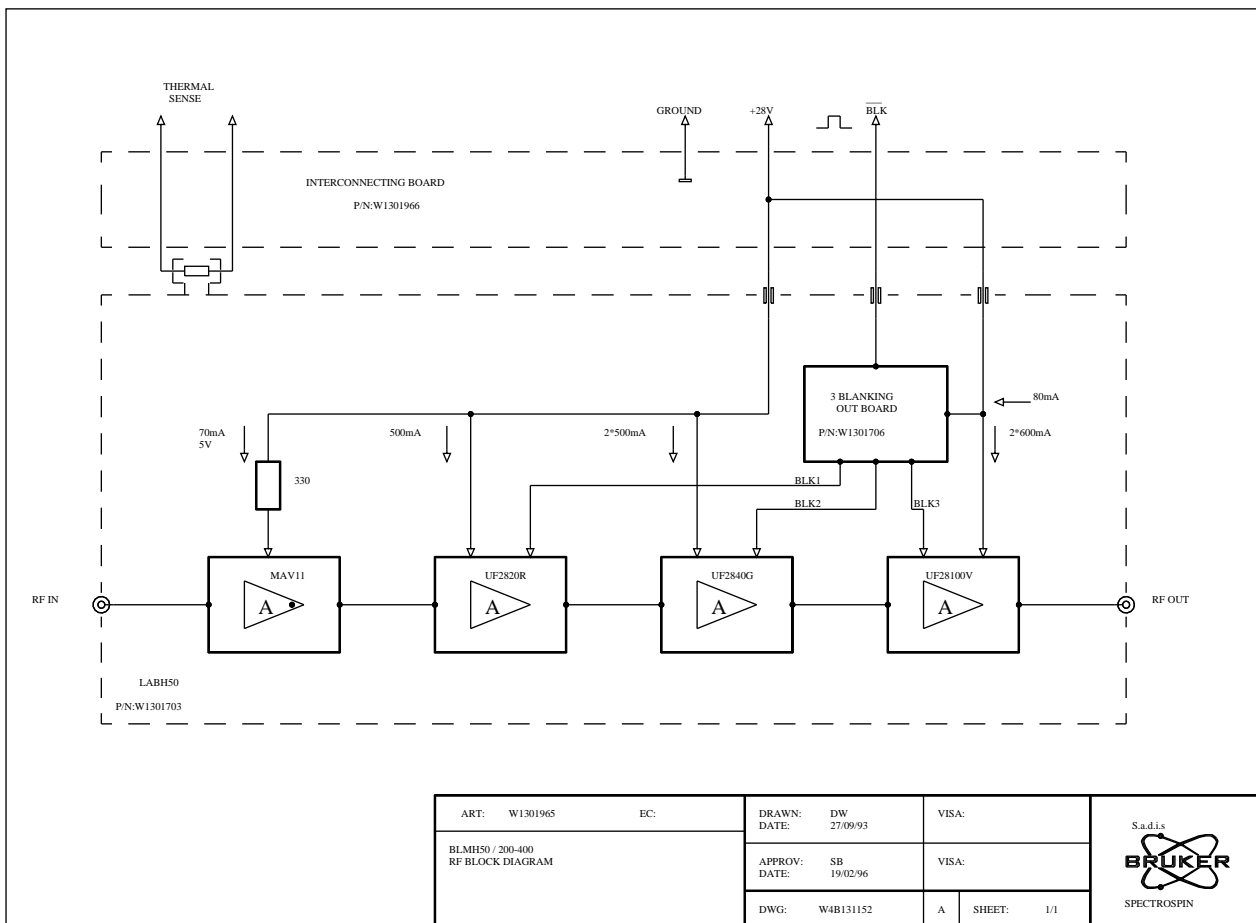


Figure 6.5. LABH50

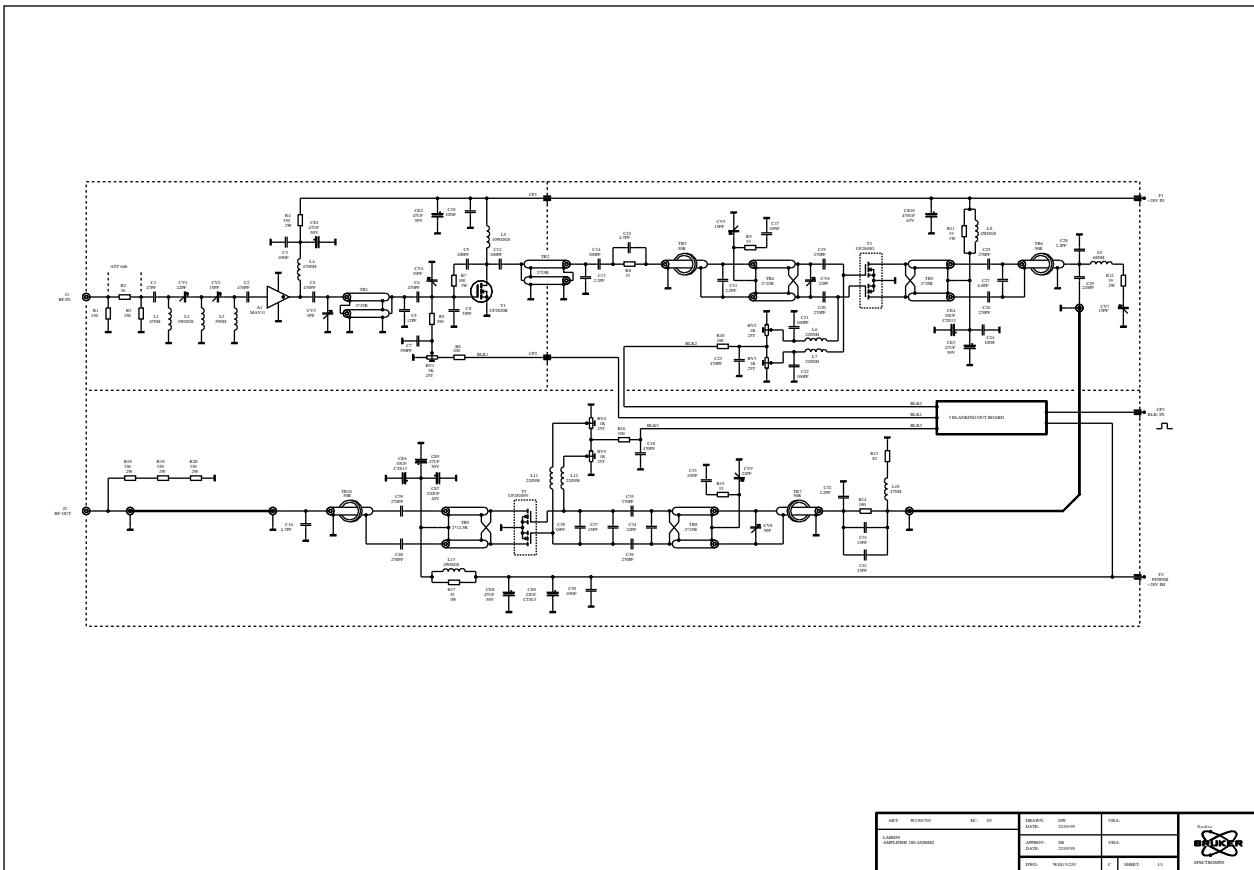


Figure 6.6. Blanking board

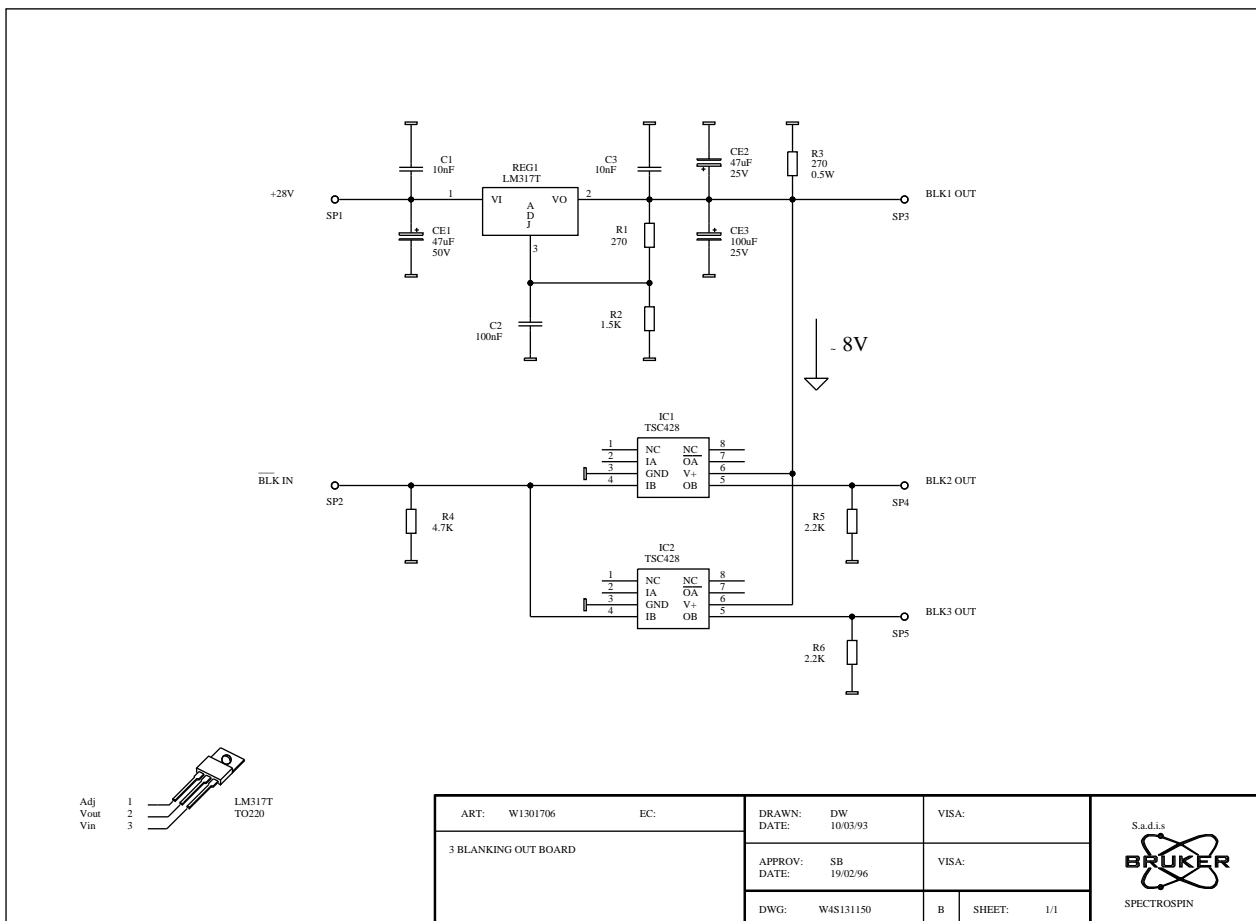


Figure 6.7. Blanking board layout

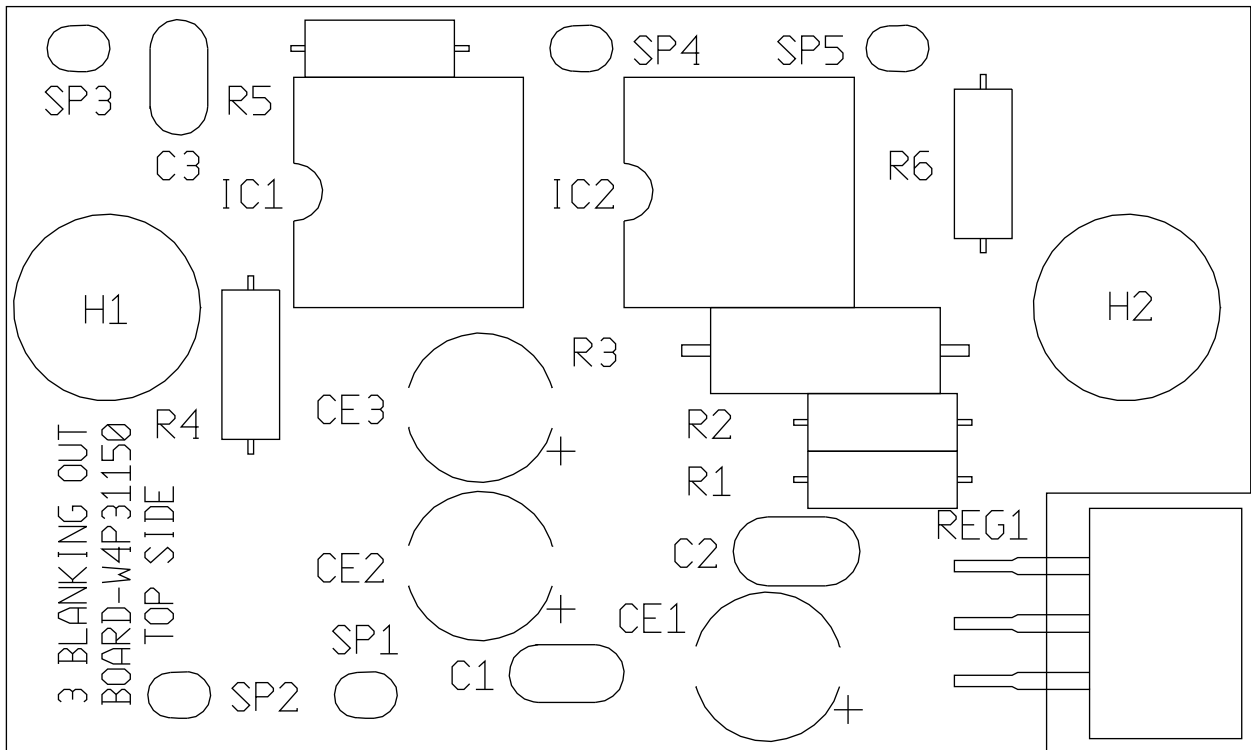
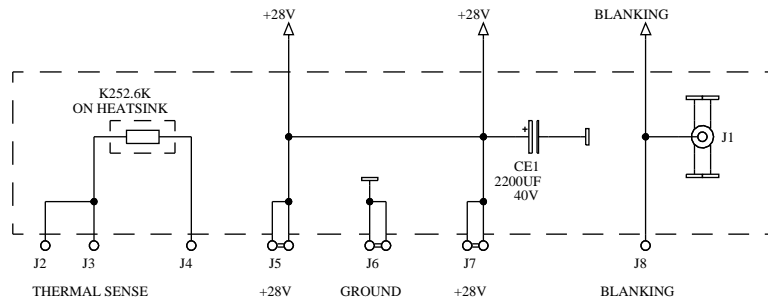



Figure 6.8. Interconnecting board



ART: W1301966	EC:	DRAWN: DW	VISA:	S.a.d.i.s  SPECTROSPIN
INTERCONNECTING BOARD		DATE: 01/10/93		
		APPROV: SB	VISA:	
		DATE: 19/02/96		
		DWG: W4S131514	SHEET: 1/1	

BLMX100 amplifier module

Figure 7.1. Wiring diagram

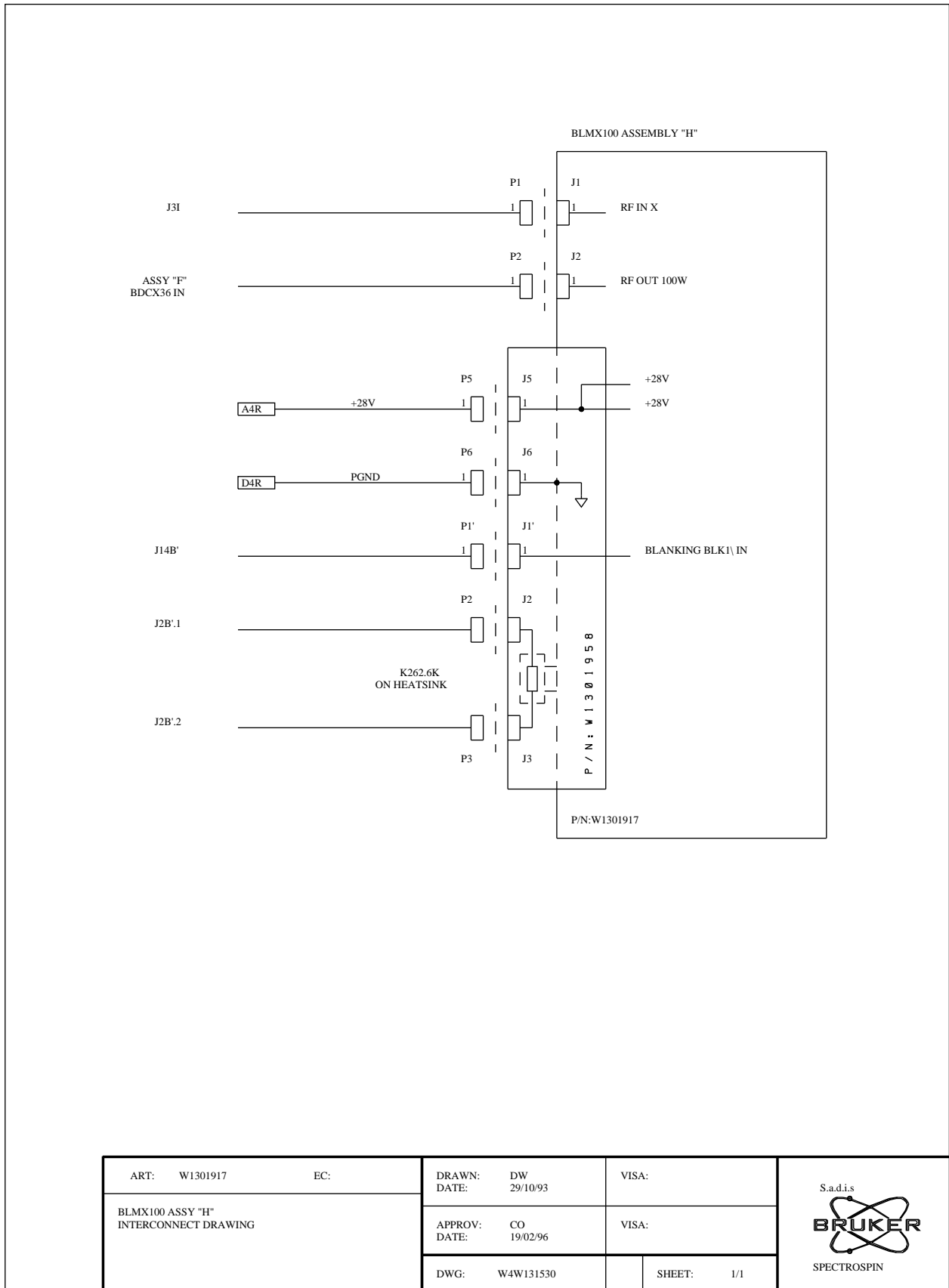


Figure 7.2. Block diagram

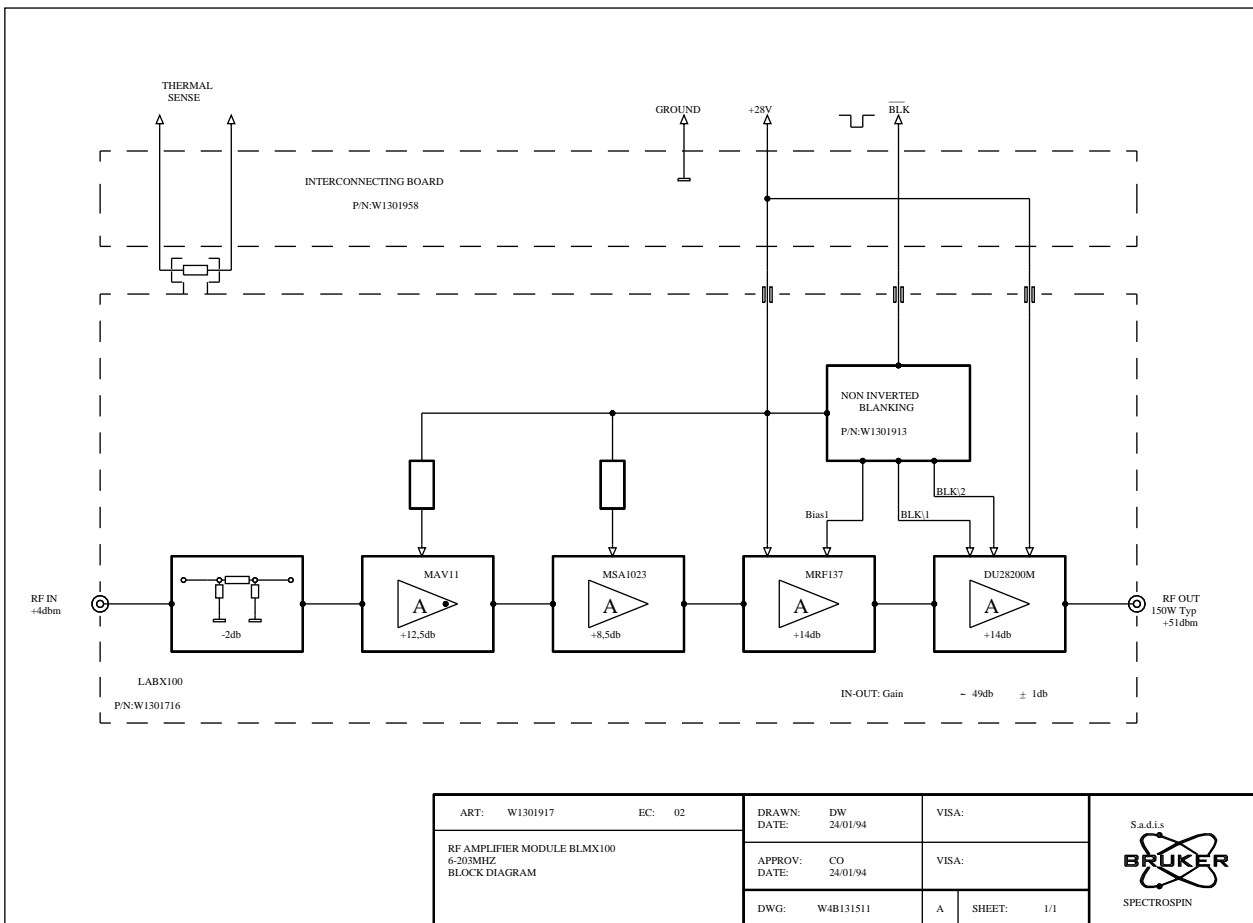


Figure 7.3. LABH100

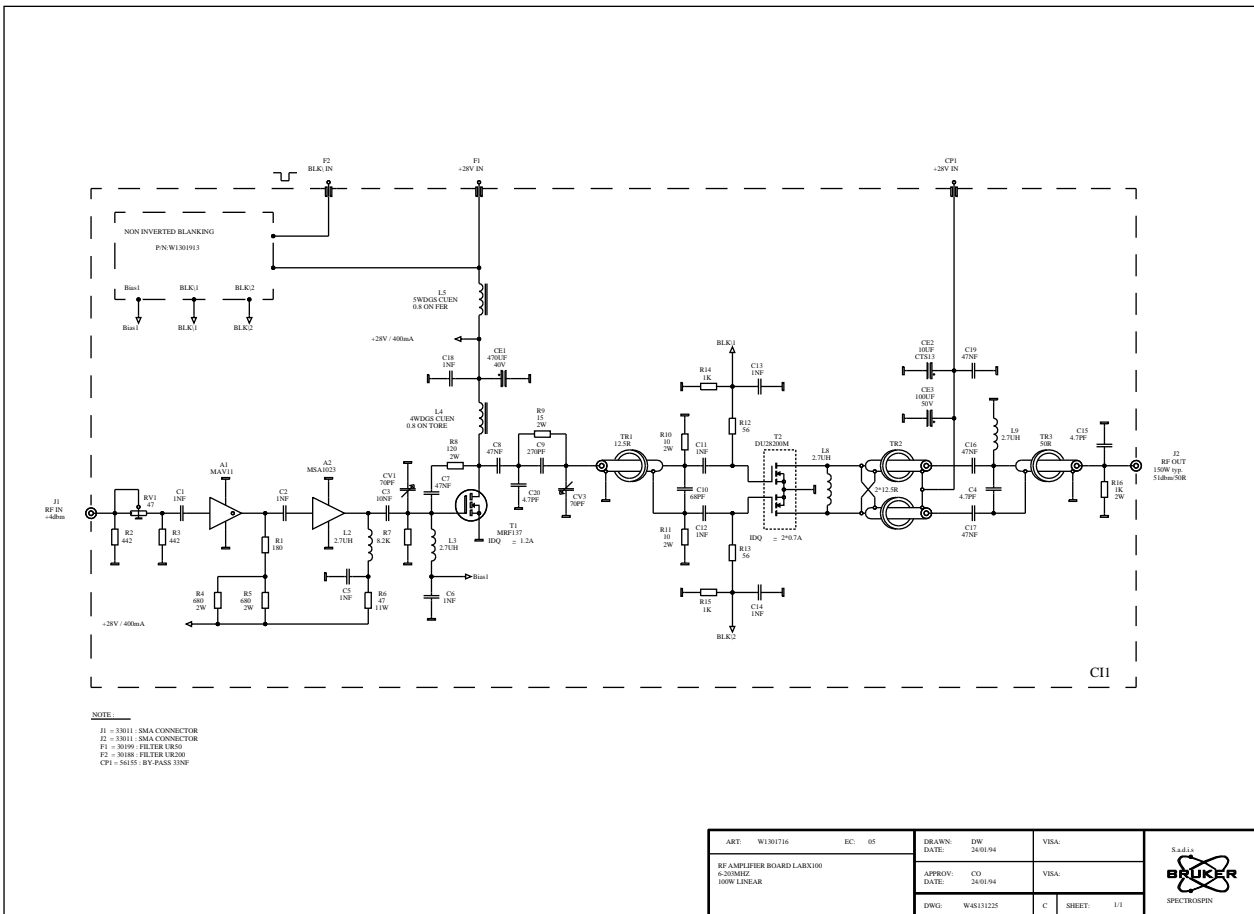
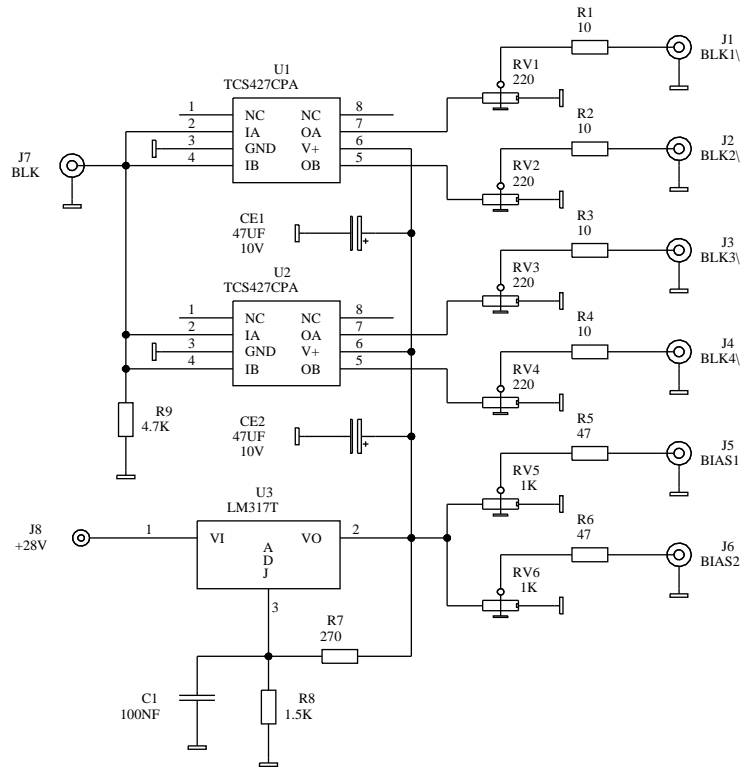


Figure 7.4. Non inverted blanking




ART: W1301913	EC: 01	DRAWN: DW	VISA:	S.a.d.i.s  SPECTROSPIN
NON INVERTED BLANKING		DATE: 13/09/93	VISA:	
		APPROV: CO	VISA:	
		DATE: 13/09/93		
		DWG: W4S131508	SHEET: 1/1	

Figure 7.5. Blanking layout

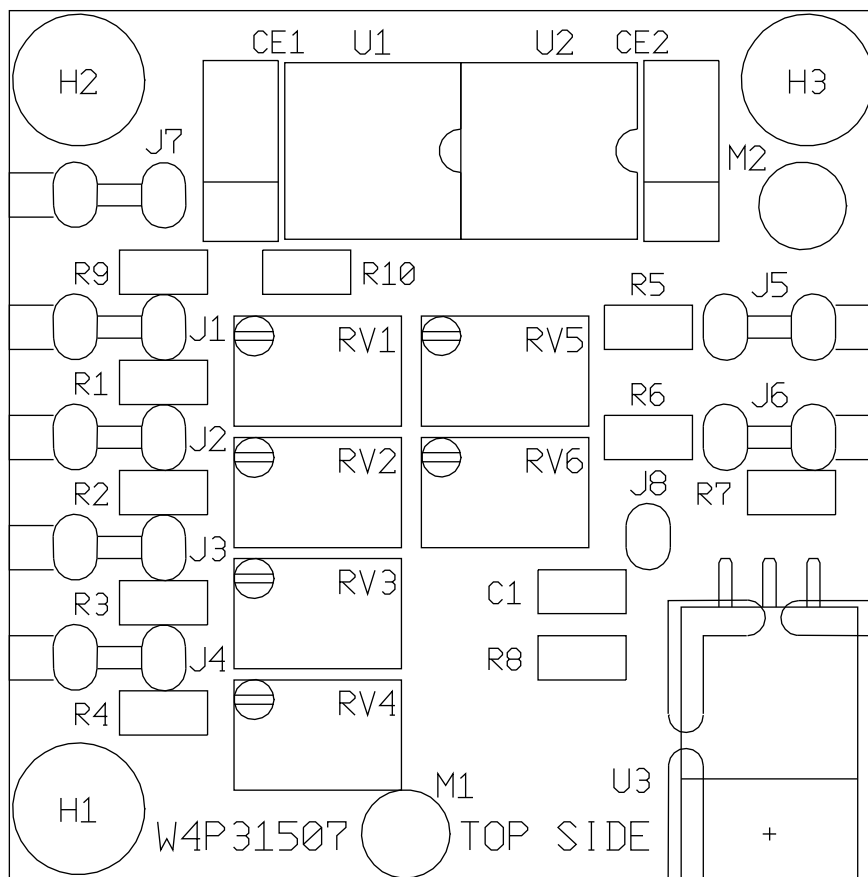
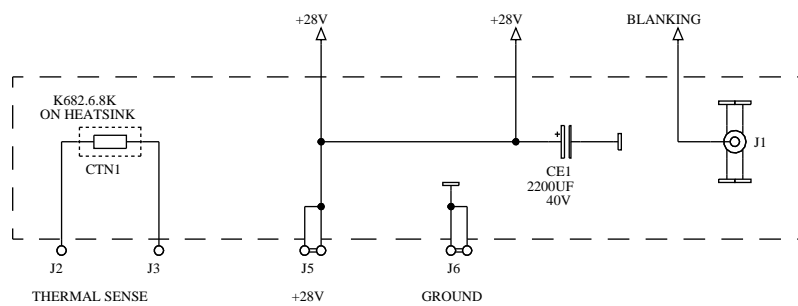



Figure 7.6. RF amplifier bias layout



NOTE:

CTN1 = 56521 : CTN 6K8 K682

ART: W1301958	EC: 01	DRAWN: DW	DATE: 25/11/93	VISA:	S.a.d.i.s  SPECTROSPIN
INTERCONNECTING BOARD		APPROV: CO	DATE: 25/11/93	VISA:	
		DWG: W4S131512		SHEET: 1/1	

Couplers, switches

Figure 8.7. Couplers and switches assy "F"

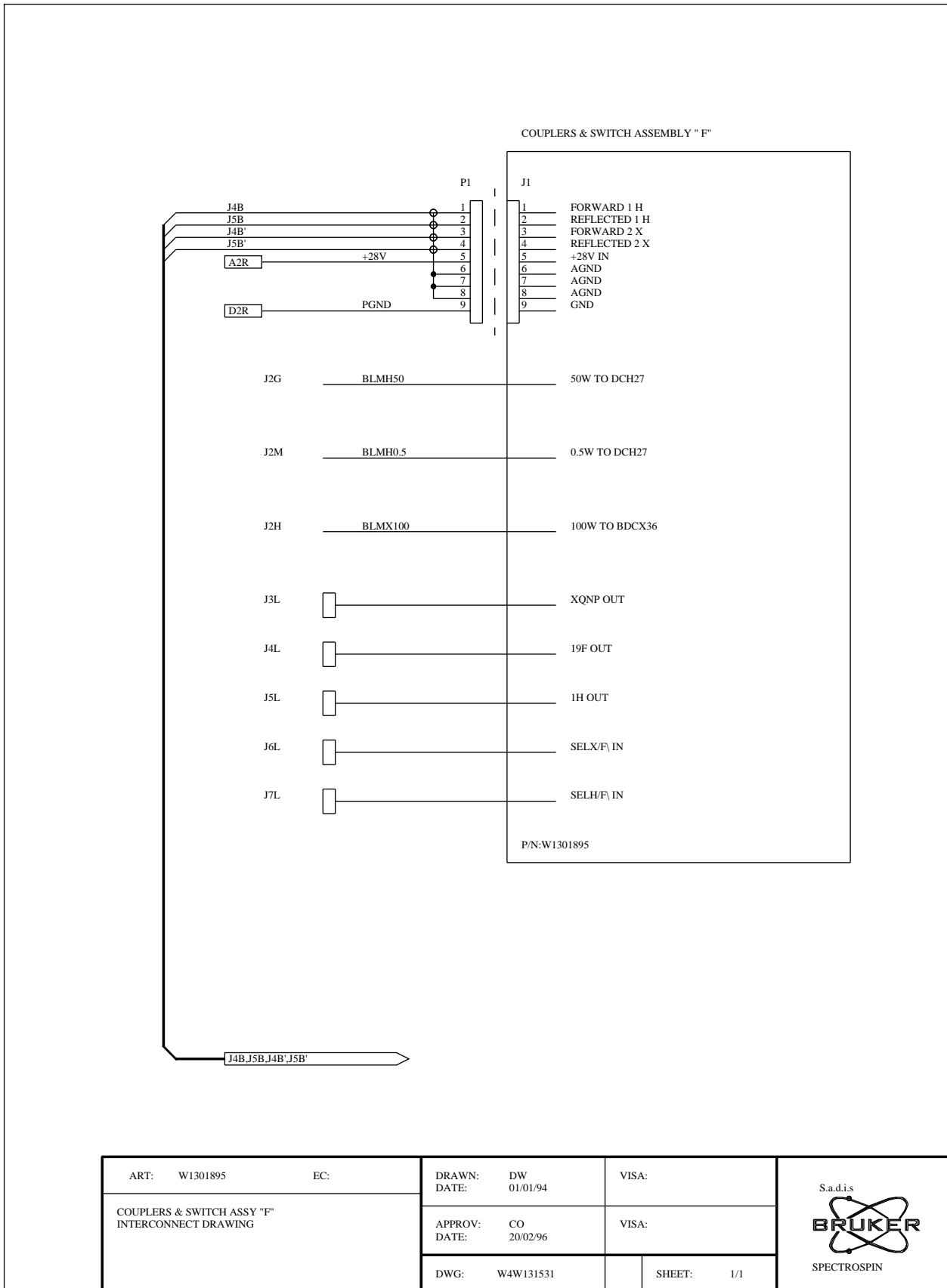


Figure 8.8. Block diagram

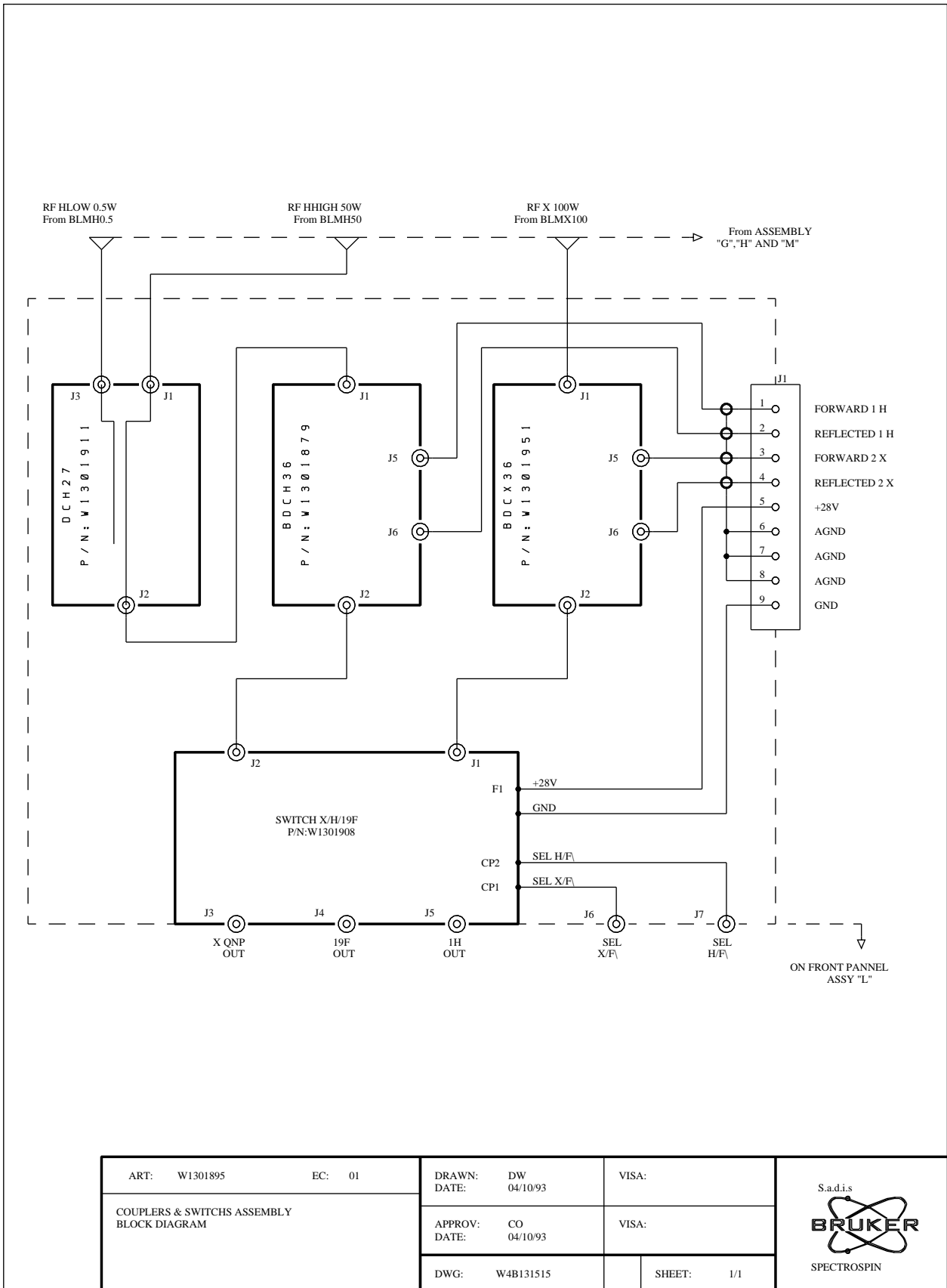
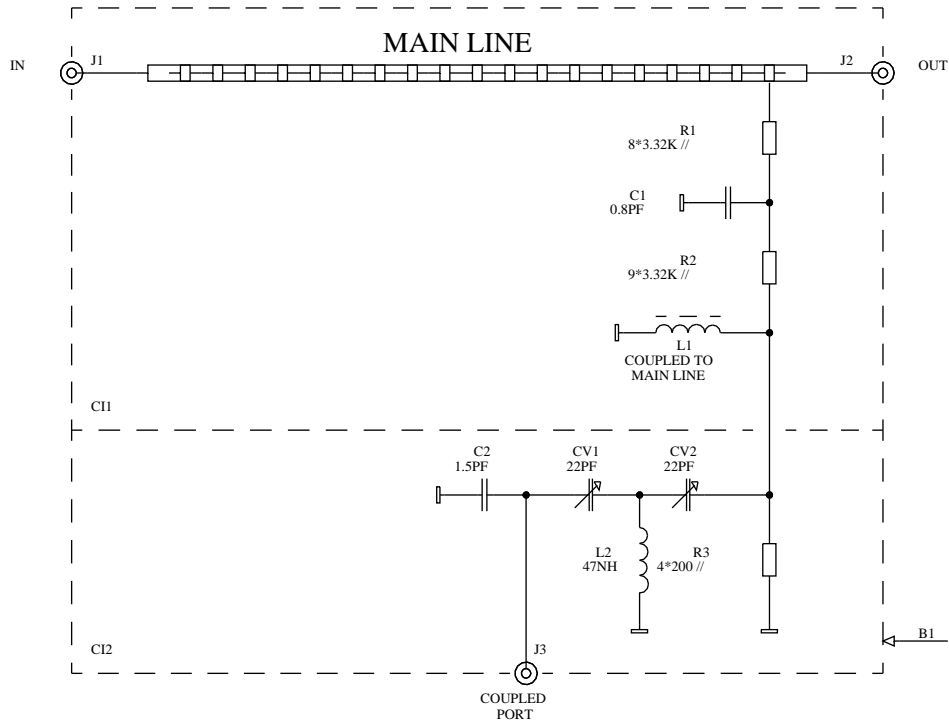


Figure 8.9. DCH27 bidirectionnal coupler




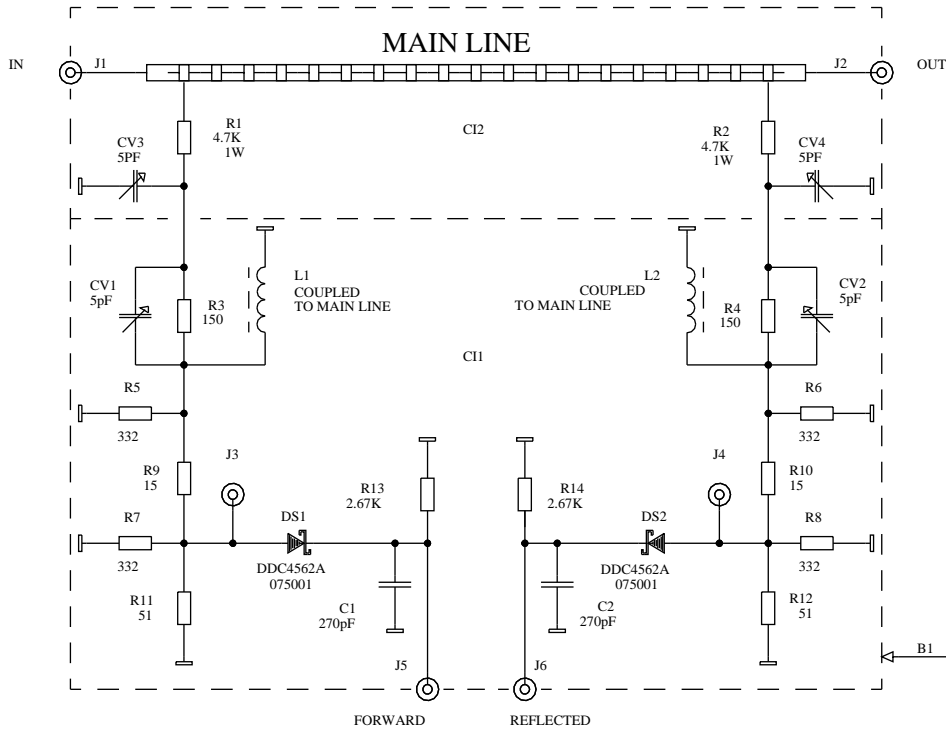
ART: W1301911	EC: 02	DRAWN: DW	VISA:	S.a.d.i.s  SPECTROSPIN
DCH27 DIRECTIONNAL COUPLER		DATE: 11/10/93		
(SMA.C-SMA)		APPROV: CO	VISA:	
		DATE: 01/06/94	A	SHEET: 1/1
		DWG: W4S131439		

Figure 8.10. BDCH36 bidirectionnal coupler




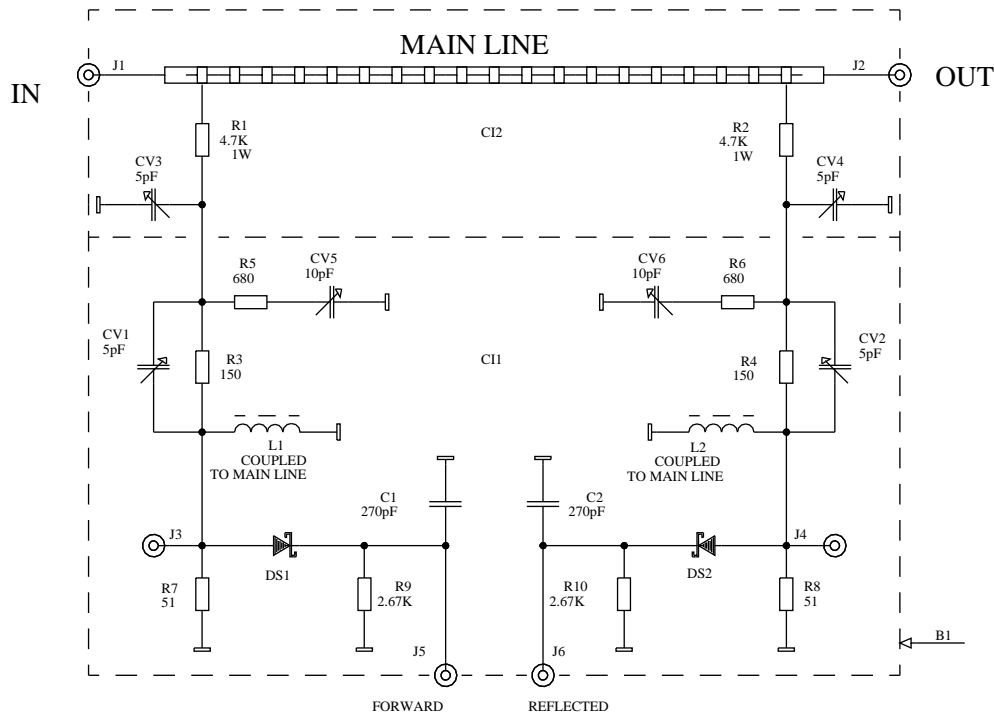
ART: W1301879	EC: 01	DRAWN: DW	VISA:	S.a.d.i.s  SPECTROSPIN
BDCH36 BI-DIRECTIONNAL COUPLER		DATE: 07/06/93	VISA:	
(SMB-SMA)		APPROV: DATE:	SHEET: 1/1	
		DWG: W4S131444		

Figure 8.11. BDCX36 bidirectionnal coupler




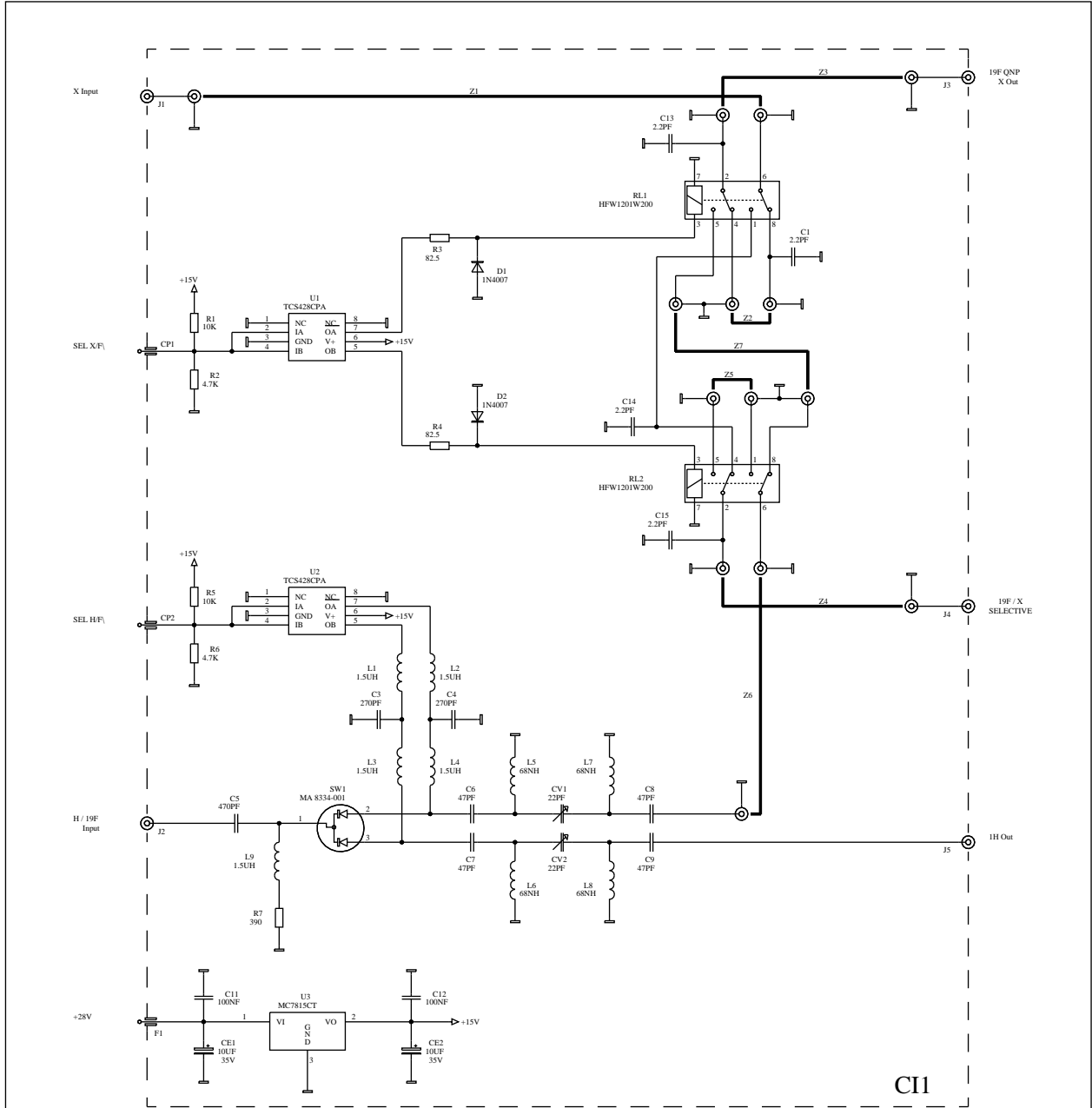
ART: W1301951	EC: 01	DRAWN: DW	VISA:	S.a.d.i.s  SPECTROSPIN
BDCX36 BI-DIRECTIONAL COUPLER (SMB-SMA)		DATE: 03/09/93	DATE: 08/06/95	
		DWG: W4S131502	SHEET: 1/1	

Figure 8.12. Switch 1H/19F/X



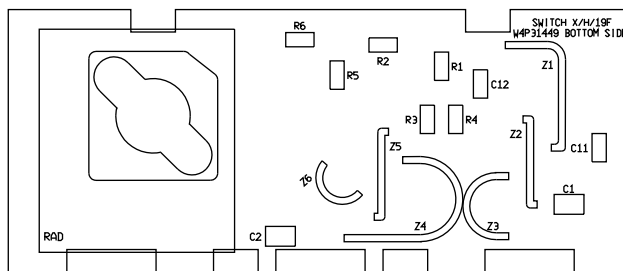
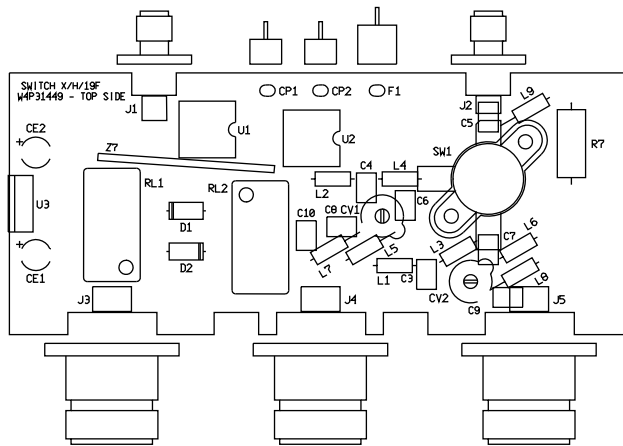
NOTE :
 J1 = 9848 : BNC CONNECTOR
 J2 = 9848 : BNC CONNECTOR
 J3 = 6194 : N CONNECTOR
 J4 = 6194 : N CONNECTOR
 J5 = 6194 : N CONNECTOR
 CP1 = 56154 : BY-PASS 100PF
 CP2 = 56154 : BY-PASS 100PF
 F1 = 30199 : FILTER UR50

SEL X/F	SEL H/F	19F QNP X Out	19F / X SELECTIVE	1H Out
0	0	H/19F In	X In	
0	1		X In	H/19F In
1	0	X In	H/19F In	
1	1	X In		H/19F In

ART: W1301908	EC: 01	DRAWN: DW 23/03/95	VISA:
SWITCH X/H/19F		APPROV: PHB 23/03/95	VISA:
		DWG: W4S131449	B SHEET: 1/1

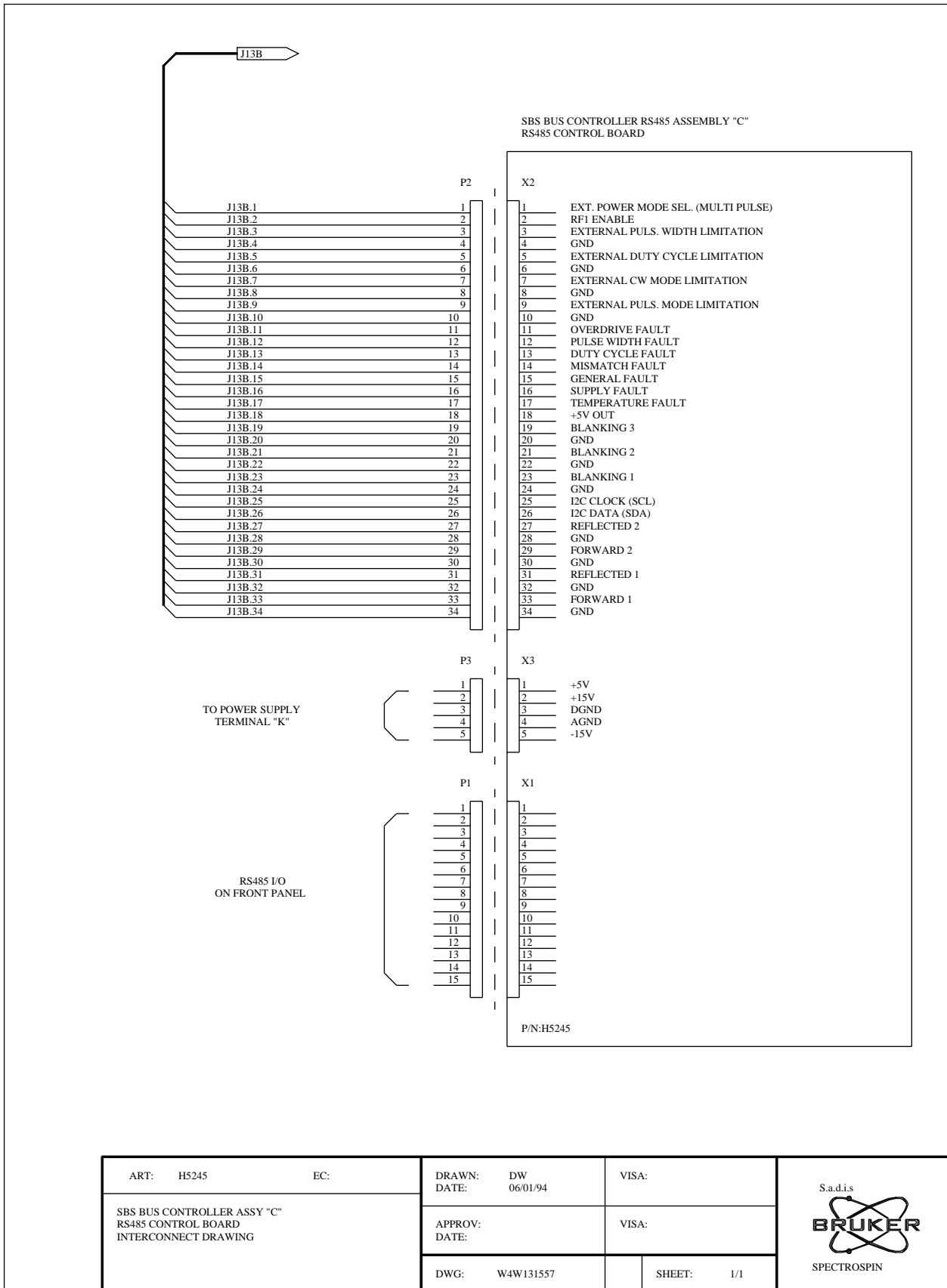


Figure 8.13. Switch layout



SBS controller

Figure 9.1. Wiring diagram



ART: H5245	EC:	DRAWN: DW DATE: 06/01/94	VISA:
SBS BUS CONTROLLER ASSY "C" RS485 CONTROL BOARD INTERCONNECT DRAWING		APPROV:	VISA:
		DATE:	
		DWG: W4W131557	SHEET: 1/1

S.a.d.i.s

BRUKER
SPECTROSPIN

Figure 9.2. CPU board

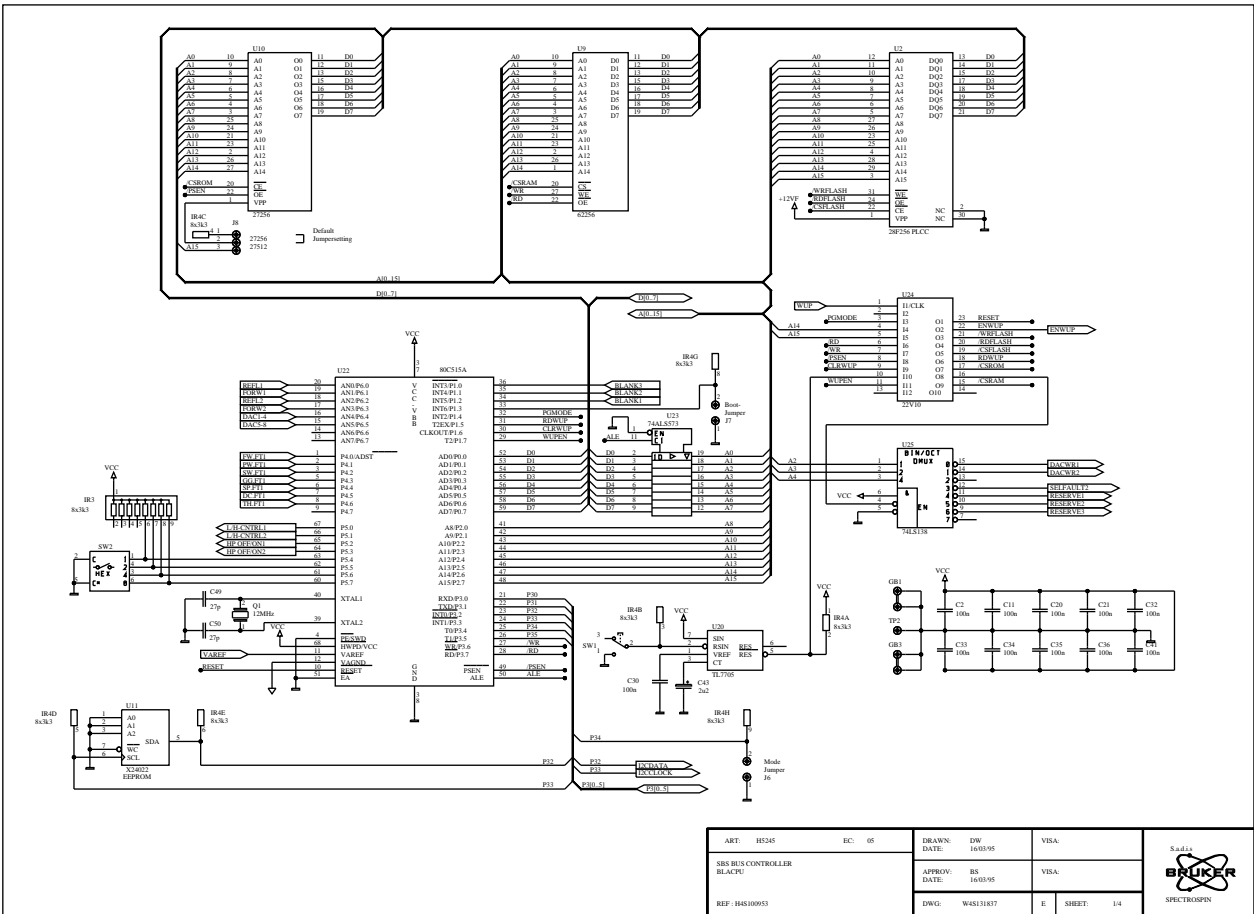


Figure 9.3. Sbs controller dac

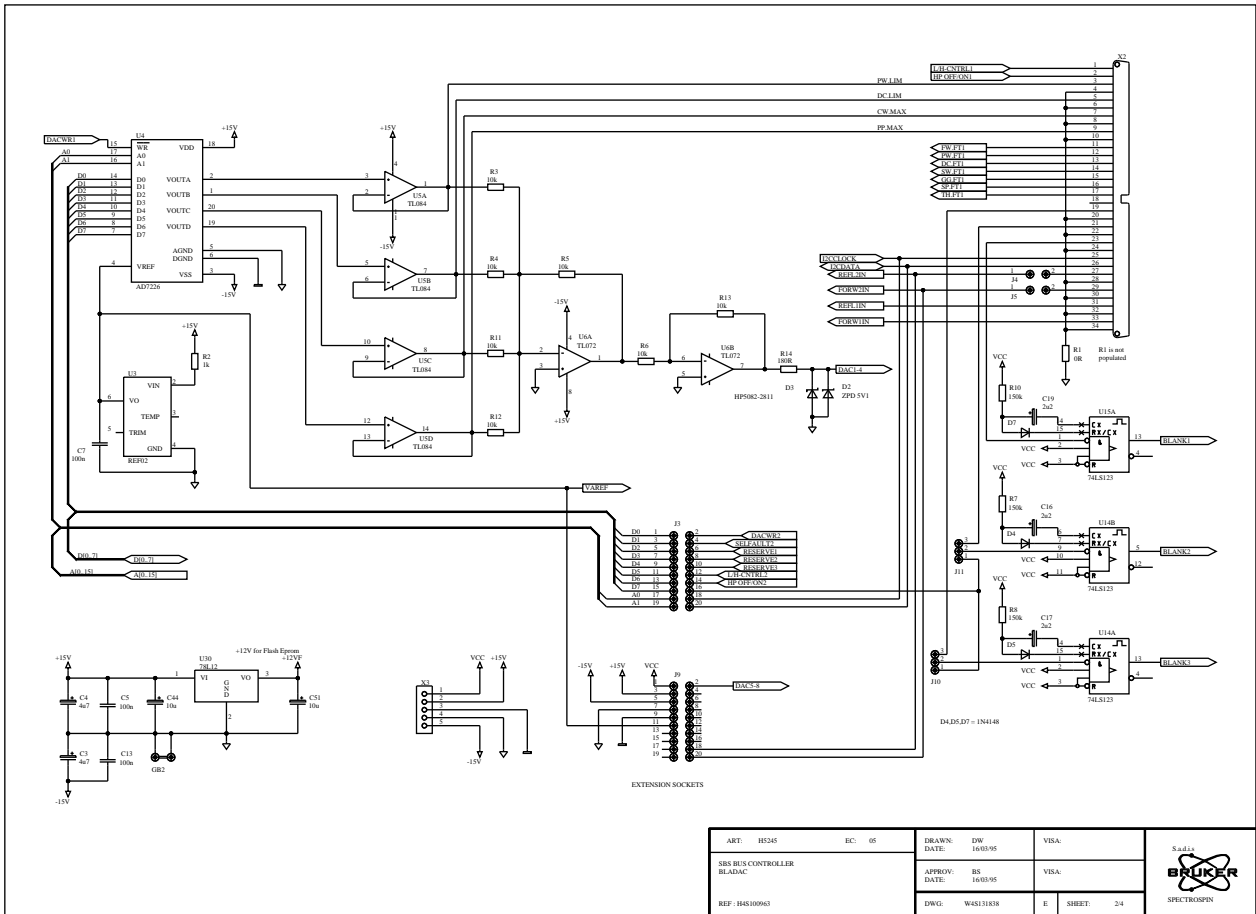


Figure 9.4. Sbs controller driver rs485

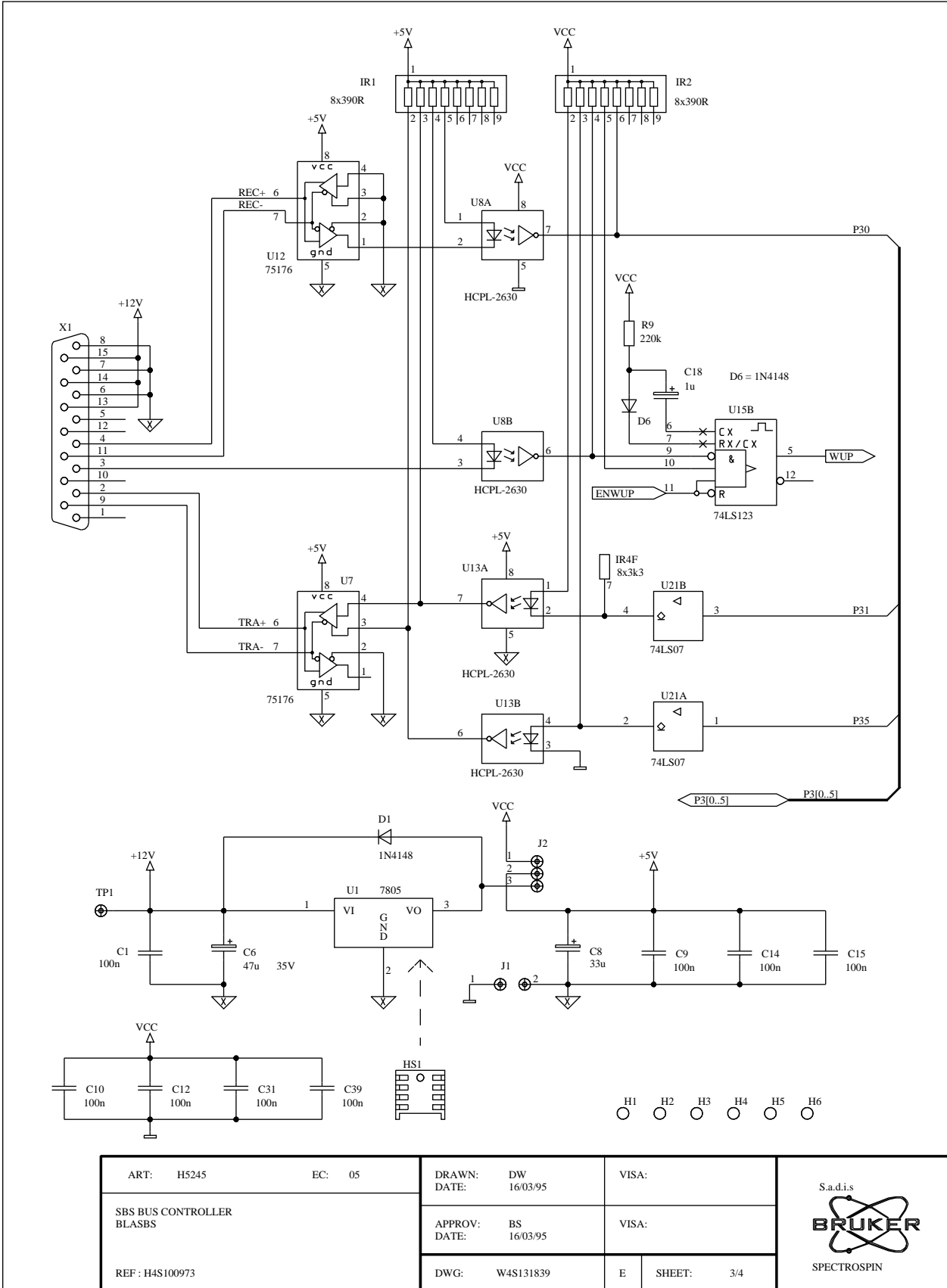
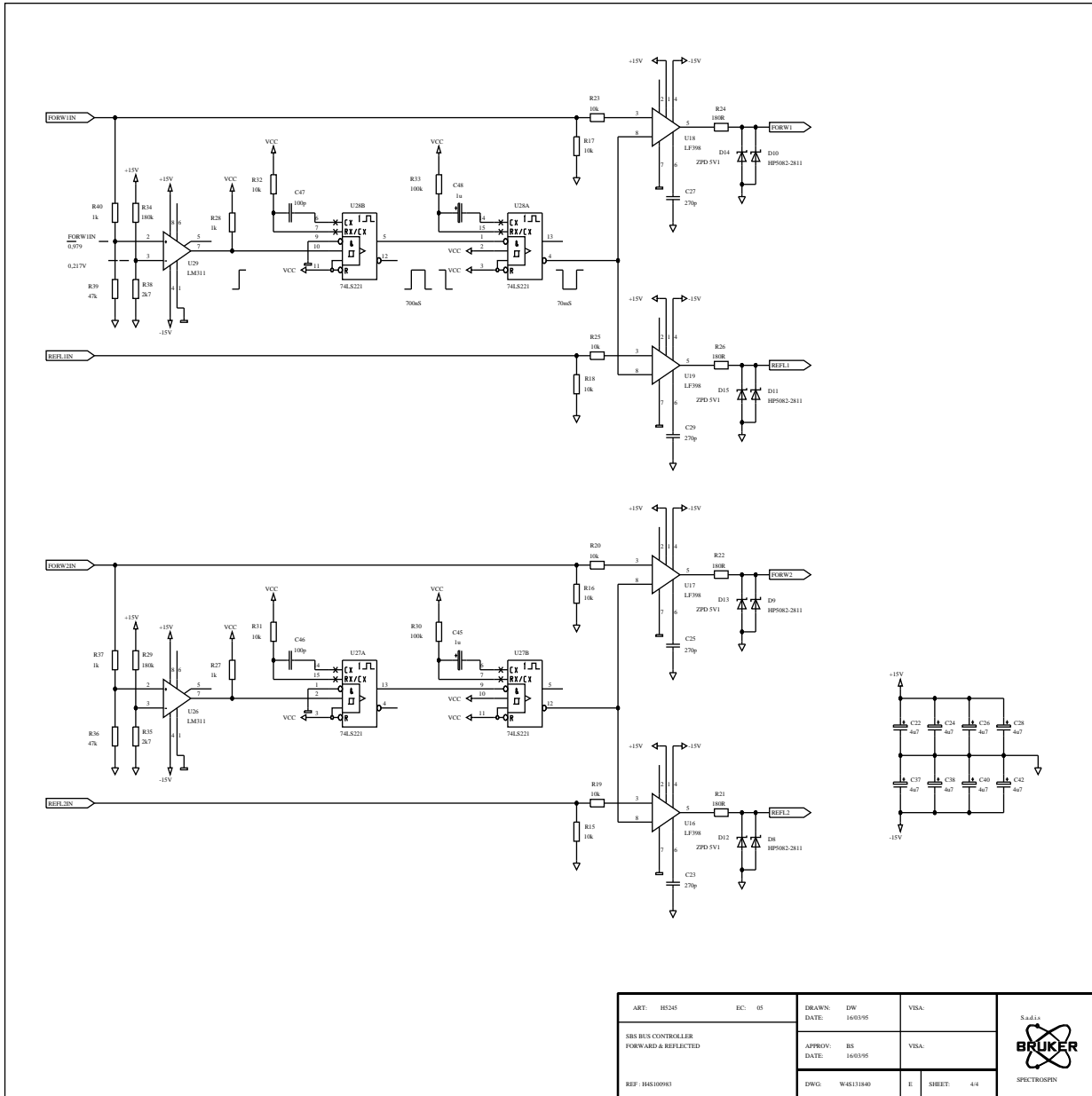


Figure 9.5. Sbs controller sample/hold



ART: H2545	EC: 05	DRAWN: DW	DATE: 16/03/95	VISA:
SBS BUS CONTROLLER FORWARD & REFLECTED		APPROV: BE	DATE: 16/03/95	VISA:
REF: H45100983		DWG: W45131840	E	SHEET: 4/4



Figure 9.6. RS485 extension board

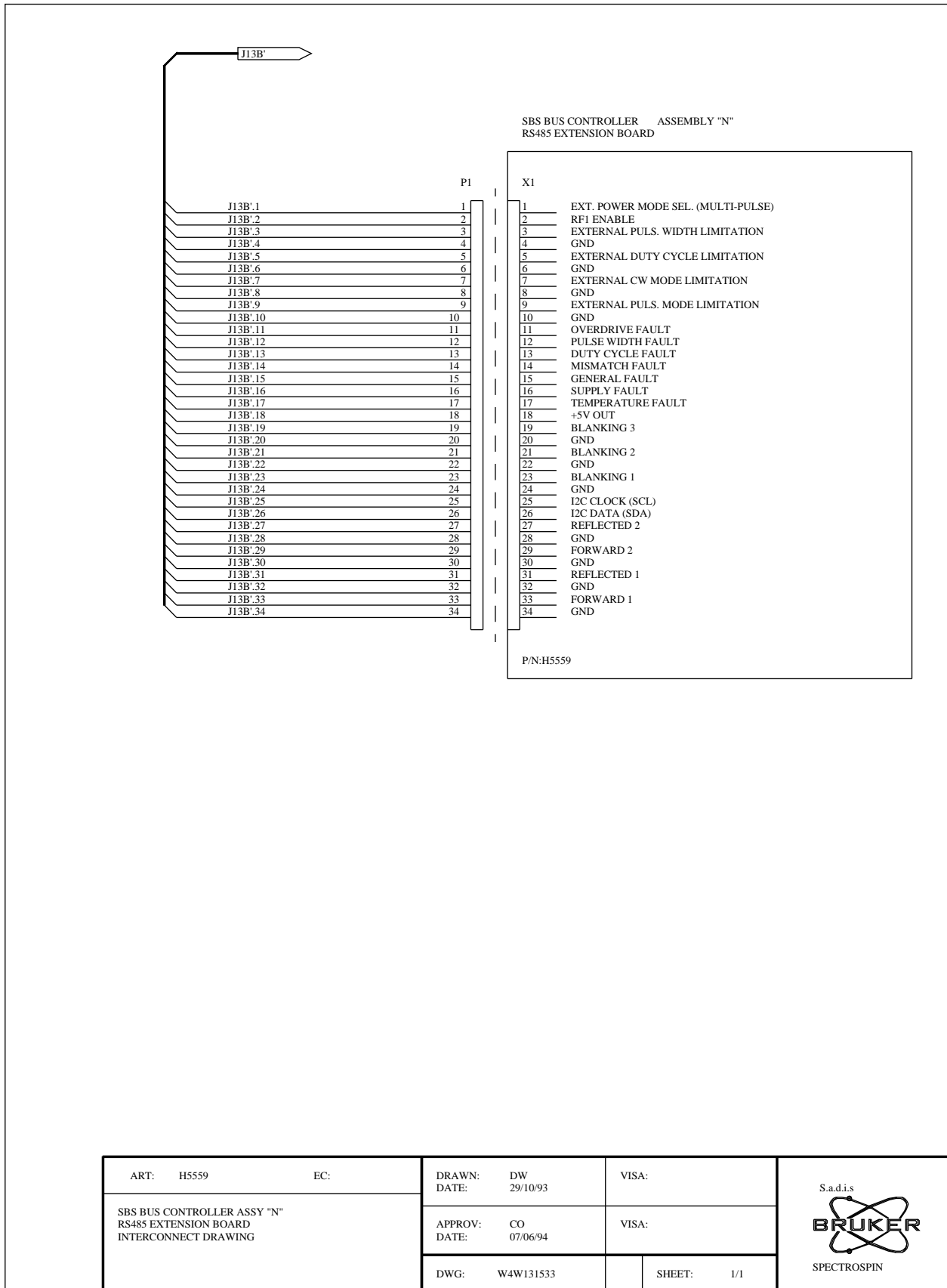
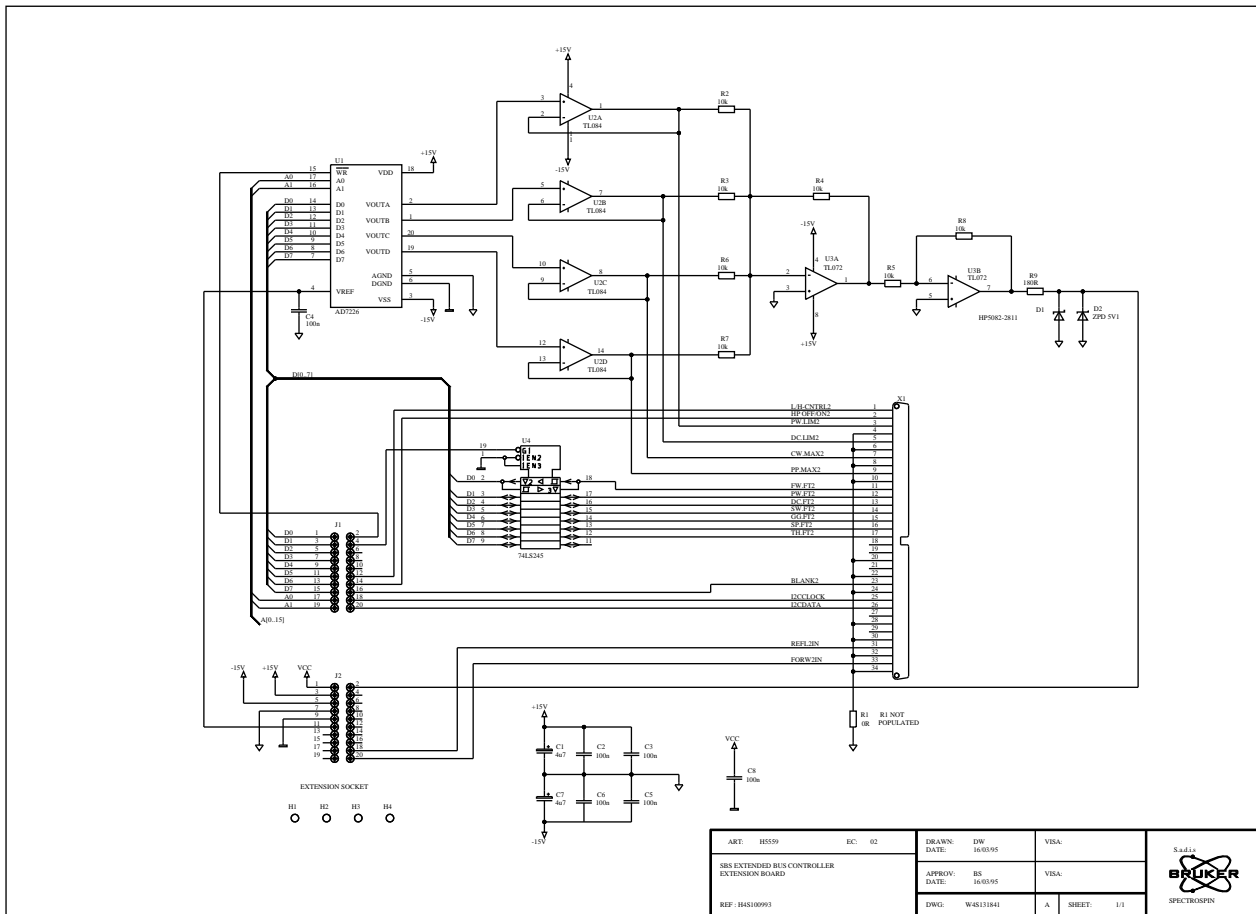


Figure 9.7. Extended bus controller



Figures

Contents	1
Block diagram	3
Block diagram.....	4
Power supply	5
Wiring diagram	6
Power supply diagram.....	7
Power supply terminal	8
Power supply terminal	9
Control board 2	11
Interconnect drawing sheet 1/3	12
Interconnect drawing sheet 2/3	13
Interconnect drawing sheet 3/3	14
Control board top side	15
Control board bottom side	16
Control board 1/7 - power supply & reference	17
Control board 2/7 - Thermal sense, supply & fan control	18
Control board 3/7 - Forward & reflected	19
Control board 4/7 - Duty cycle & pulse width limiter	20
Control board 5/7 - Power limitation	21
Control board 6/7 - Blanking circuit	22
Control board 7/7 - Interconnection & pal	23
Pal interconnection	24
Wiring diagram	25
Wiring diagram	26
Wiring diagram	27
Status board	29
Interconnect drawing	30
Status led board	31
Status led board - location	32
Fan assembly	33
Interconnect drawing	34
Fan assembly	35
BLMH0.5/50	37
BLMH0.5 assy "M"	38
BLMH0.5	39

BLMH50 assy "G"	40
BLMH50.....	41
LABH50	42
Blanking board.....	43
Blanking board layout.....	44
Interconnecting board	45
<i>BLMX100 amplifier module</i>	47
Wiring diagram.....	48
Block diagram	49
LABH100	50
Non inverted blanking.....	51
Blanking layout.....	52
RF amplifier bias layout.....	53
<i>Couplers, switches</i>	55
Couplers and switches assy "F".....	56
Block diagram	57
DCH27 bidirectionnal coupler.....	58
BDCH36 bidirectionnal coupler.....	59
BDCX36 bidirectionnal coupler.....	60
Switch 1H/19F/X	61
Switch layout.....	62
<i>SBS controller</i>	63
Wiring diagram.....	64
CPU board	65
Sbs controller dac	66
Sbs controller driver rs485	67
Sbs controller sample/hold	68
RS485 extension board	69
Extended bus controller.....	70
<i>Figures</i>	71

Goto