

# **AQS ACB Extended Board**

**H9500  
Technical Manual**

**Version 001**

---

**BRUKER**

---

The information in this manual may be altered without notice.

BRUKER accepts no responsibility for actions taken as a result of use of this manual. BRUKER accepts no liability for any mistakes contained in the manual, leading to coincidental damage, whether during installation or operation of the instrument. Unauthorised reproduction of manual contents, without written permission from the publishers, or translation into another language, either in full or in part, is forbidden.

© January 12, 2000: Bruker Analytik GmbH

Rheinstetten, Germany - P/N Z31565

# Contents

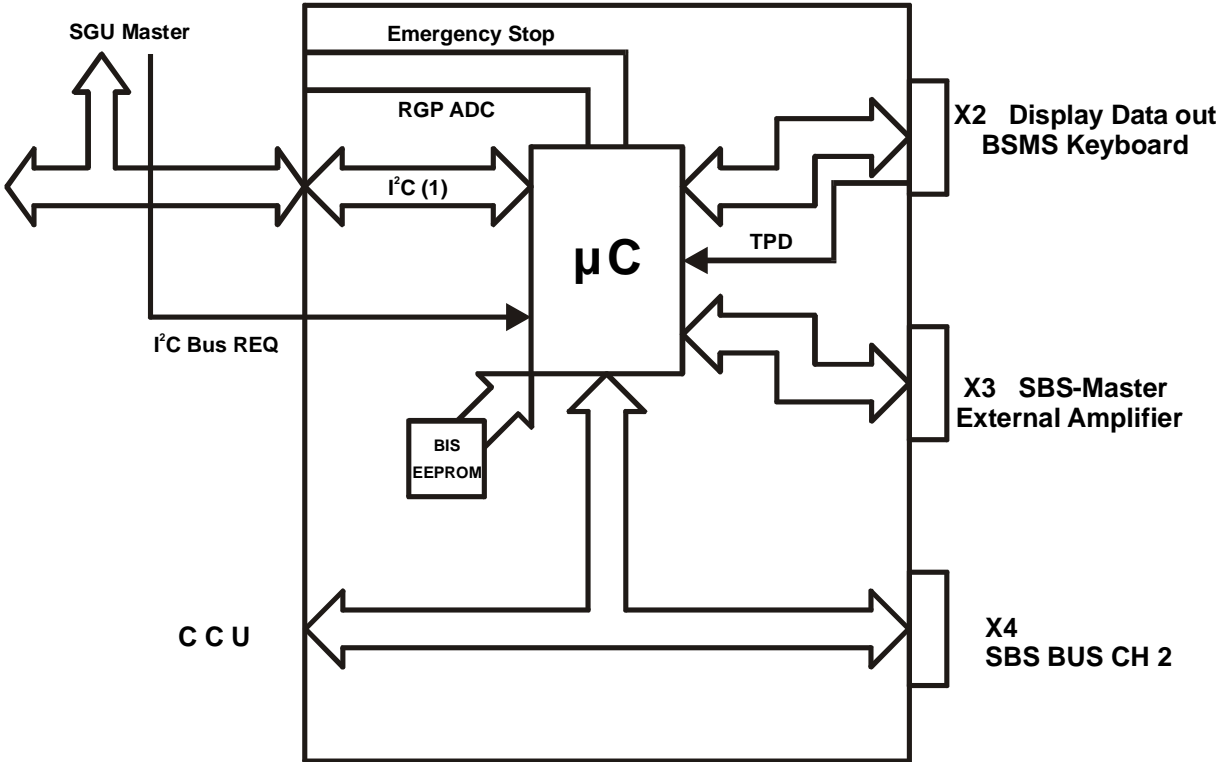
|          |  |            |
|----------|--|------------|
|          | <b>Contents .....</b>                      | <b>iii</b> |
| <b>1</b> | <b>AQS ACB Extended .....</b>              | <b>5</b>   |
| 1.1      | ACB Extended Block Diagram .....           | 5          |
| 1.2      | ACB Extended Connectors .....              | 6          |
| 1.3      | ACB Extended Connector Block Diagram ..... | 7          |

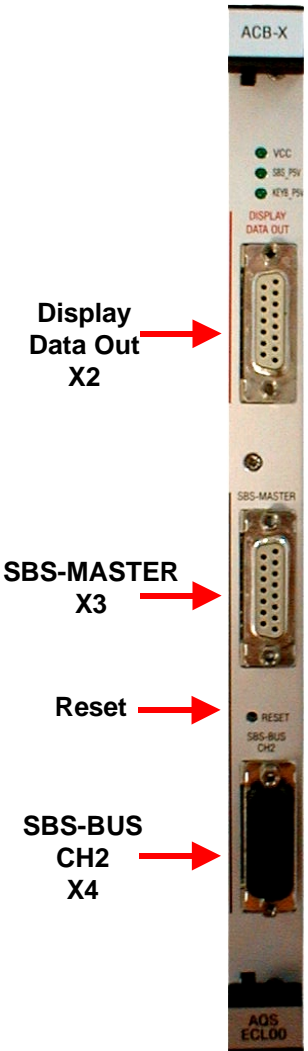
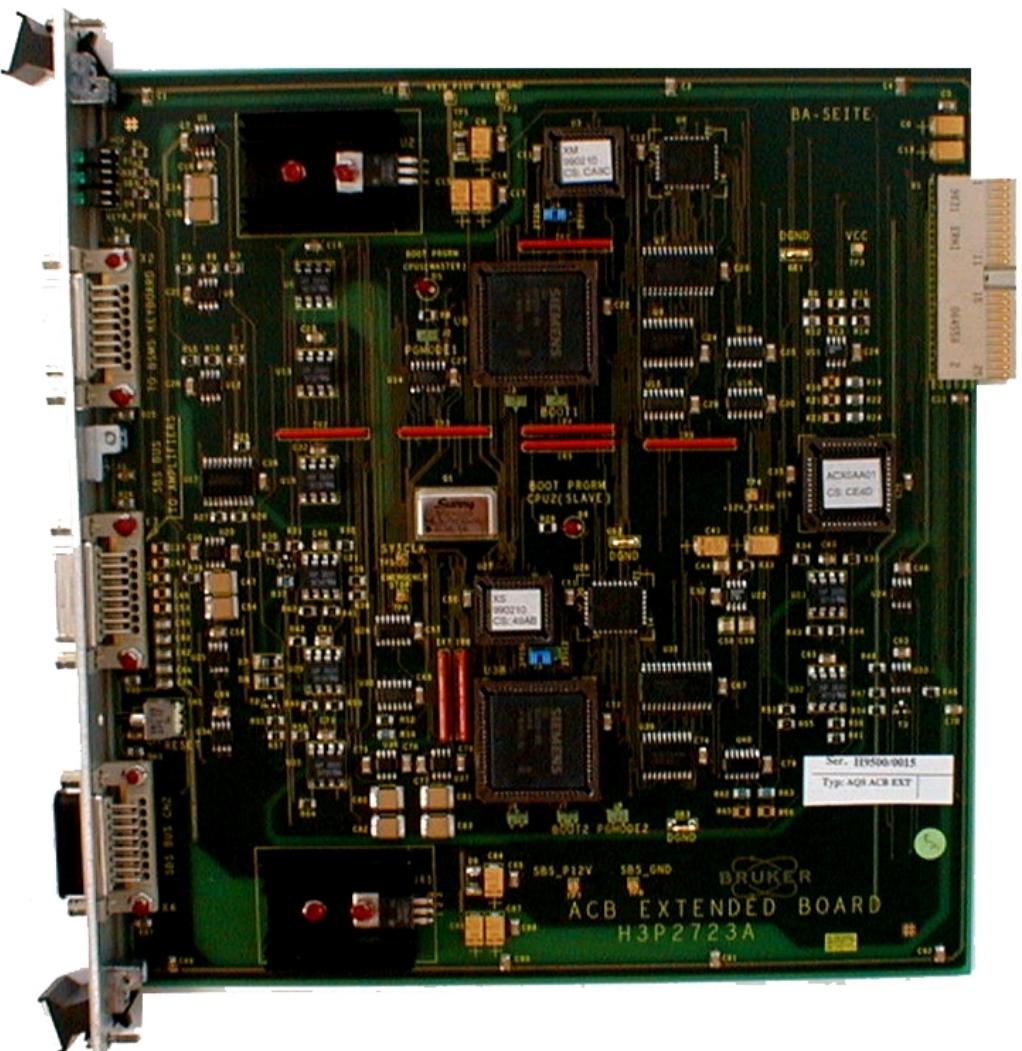


# AQS ACB Extended

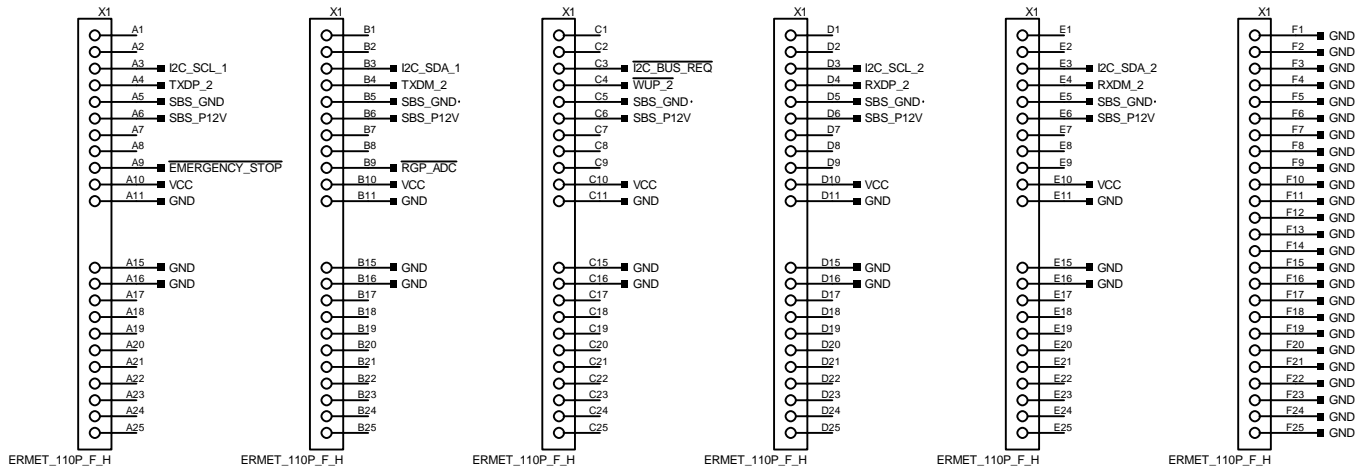
# 1

## ACB-Extended

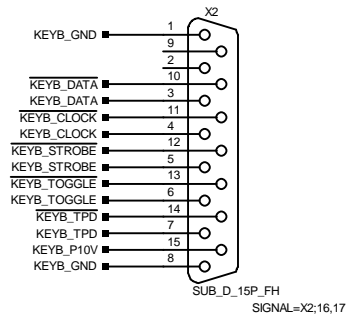




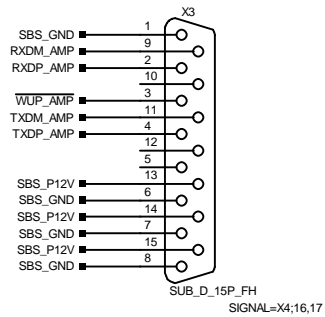
### Backplane Connector



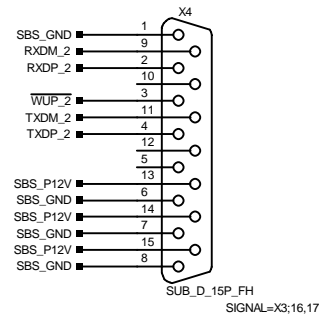
### Front Panel Connector to BSMS Keyboard



### Front Panel Connector SBS Bus to Amplifiers



### Front Panel Connector SBS Bus (CH2)



|  |            |             |                        |
|--|------------|-------------|------------------------|
| Board Part No.:                            | H9500      | Designer:   | THW                    |
| Print Part No.:                            | H9501      | Proj. Name: | AQS ACB EXTENDED BOARD |
| Print No.:                                 | H3P2723B   | Proj. No.:  | HP980060               |
|  |            | EC-Level:   | 02                     |
| Title: AQS ACB EXTENDED BOARD (CONNECTORS) |            |             |                        |
| Document No.:                              | H3P104033A | Date:       | 12-16-1999 10:11       |
| Filename:                                  | CONNECTORS | Sheet:      | 2 of 3                 |